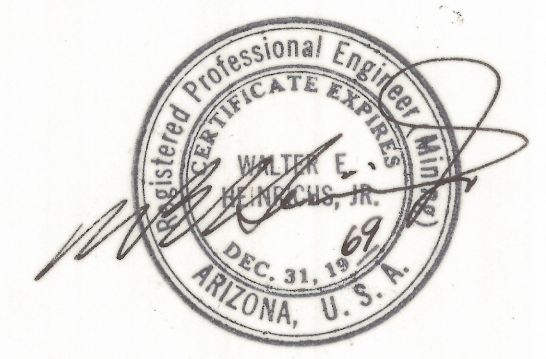
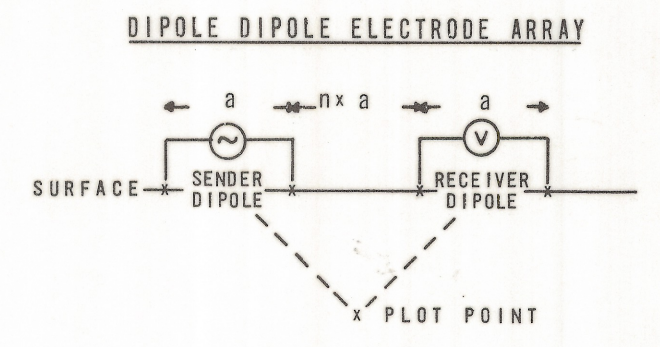
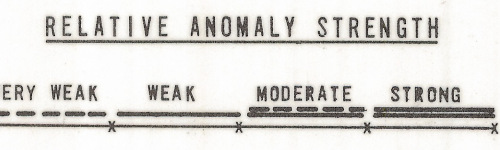


INDUCED POLARIZATION TRVERSE SECTIONAL DATA SHEET for NORTH AMERICAN MINES



AREA CHLORIDE PROJECT

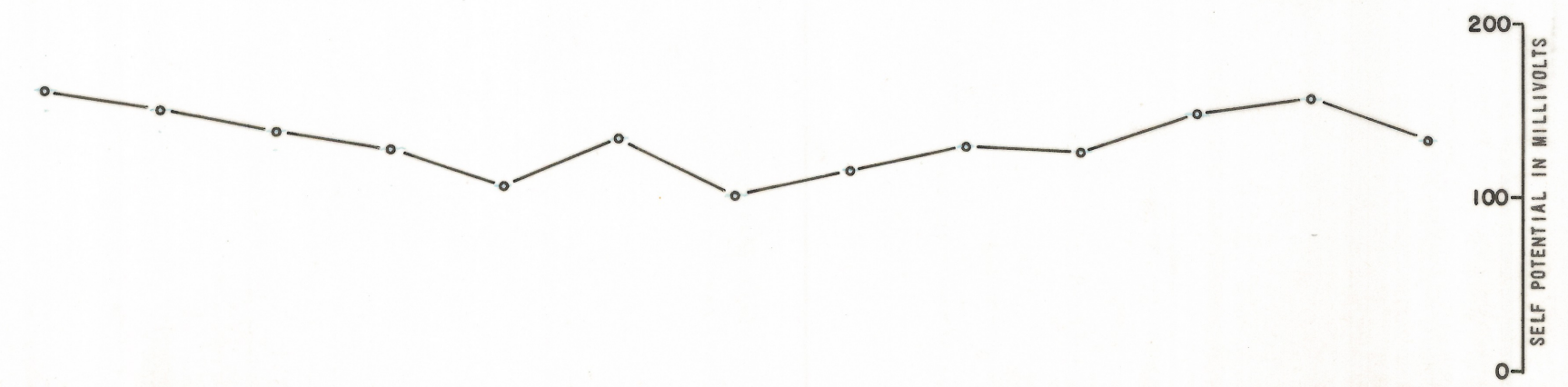
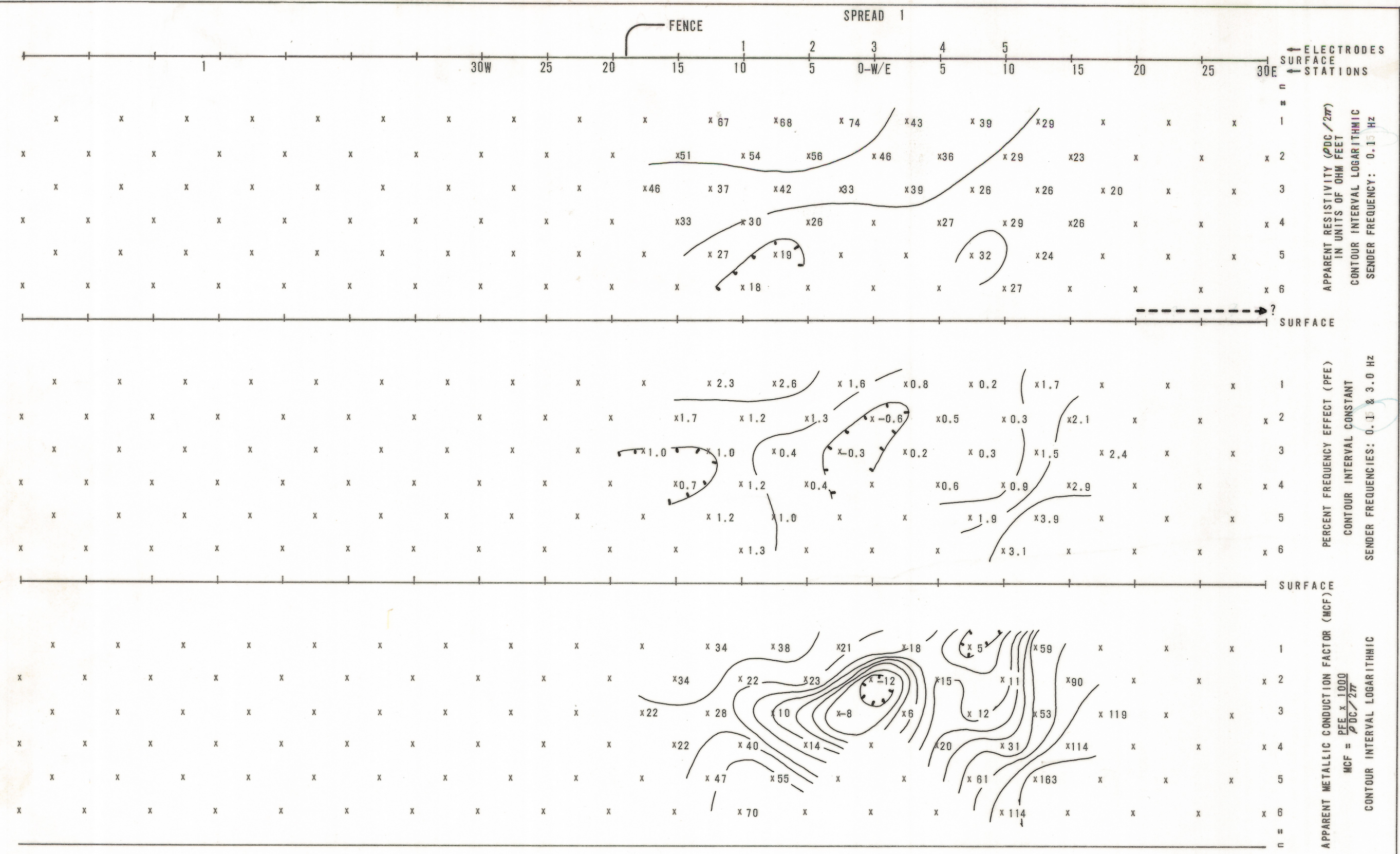
LOOKING NORTH

DATE MAY 1969

SCALE a = 500'

HEINRICHS GEOEXPLORATION COMPANY

AUSTRALIA (SYDNEY) 39 Hume Street Crows Nest, NSW Phone: 438-1793
 U.S.A. Post Office Box 5671 Tucson, Arizona 85703 Phone: (602) 623-0578 Cable: GEOEX, Tucson



410-110-80-507 11/238 11/238 11/238