

REDUCE THIS

TO THIS

Channel end detail

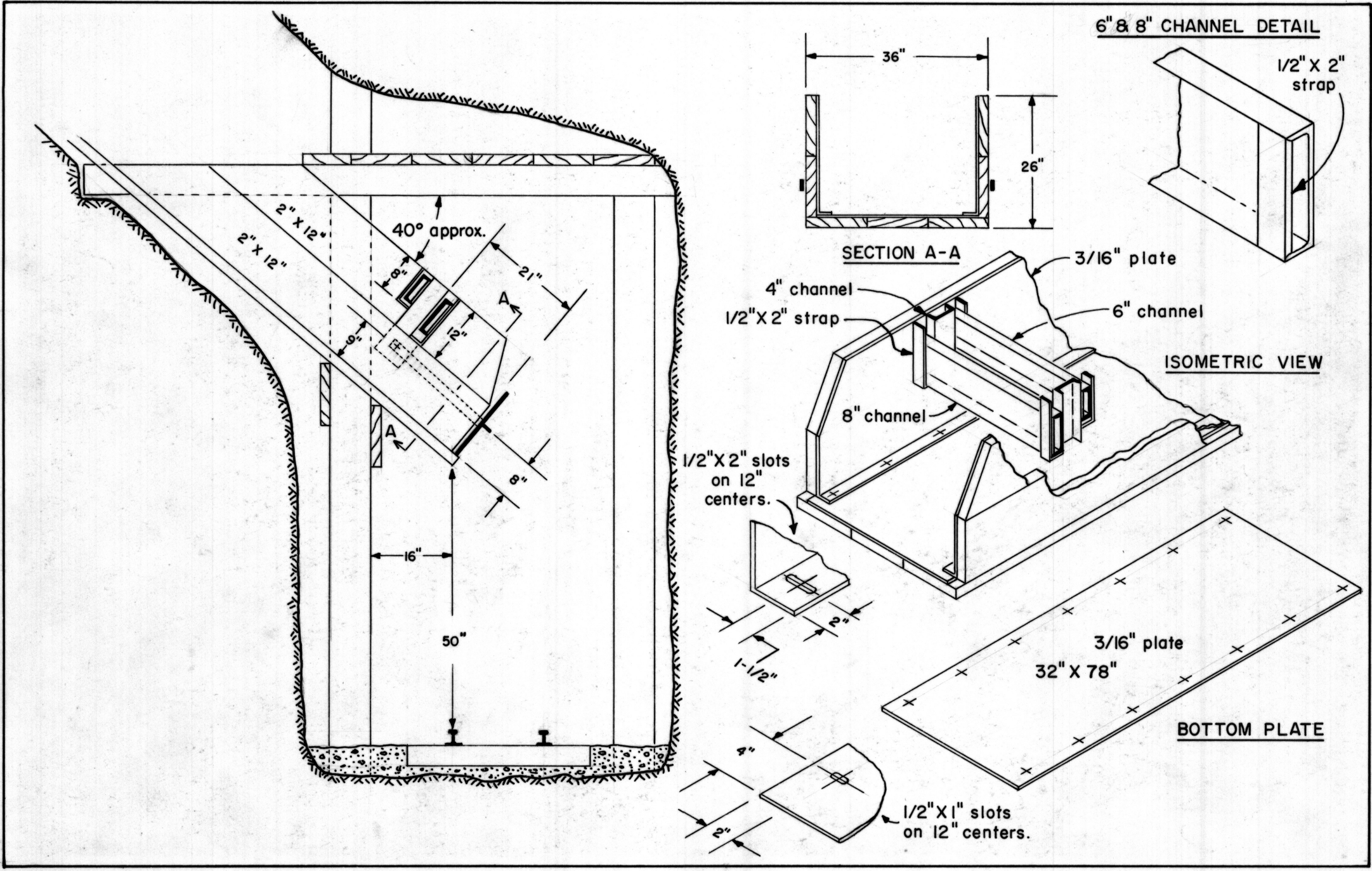


Figure 22. Details of steel-lined chute.