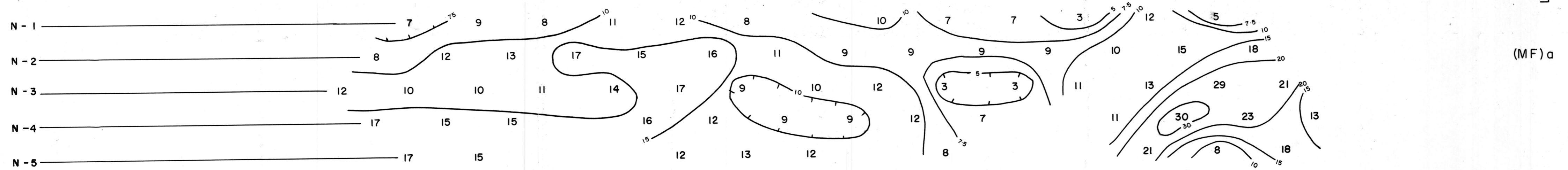
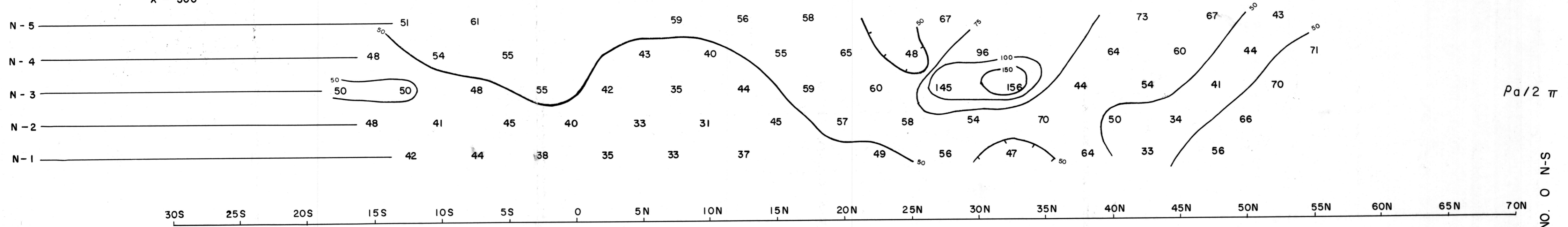
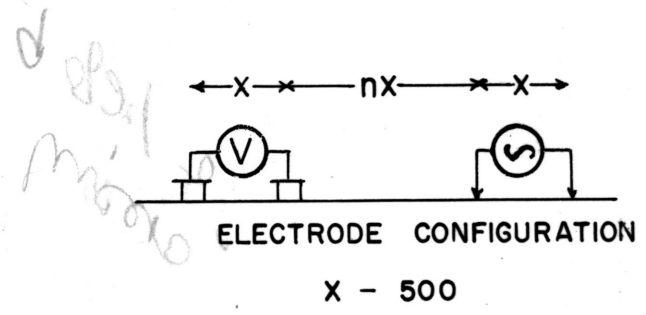


INDUCED POLARIZATION AND RESISTIVITY SURVEY



AMERICAN METAL CLIMAX, INC.
LUCERO PROPERTY
PIMA COUNTY, ARIZONA

Scale 1" = 500'

NOTE
LOGARITHMIC CONTOUR INTERVAL

LINE NO. 0 N-S