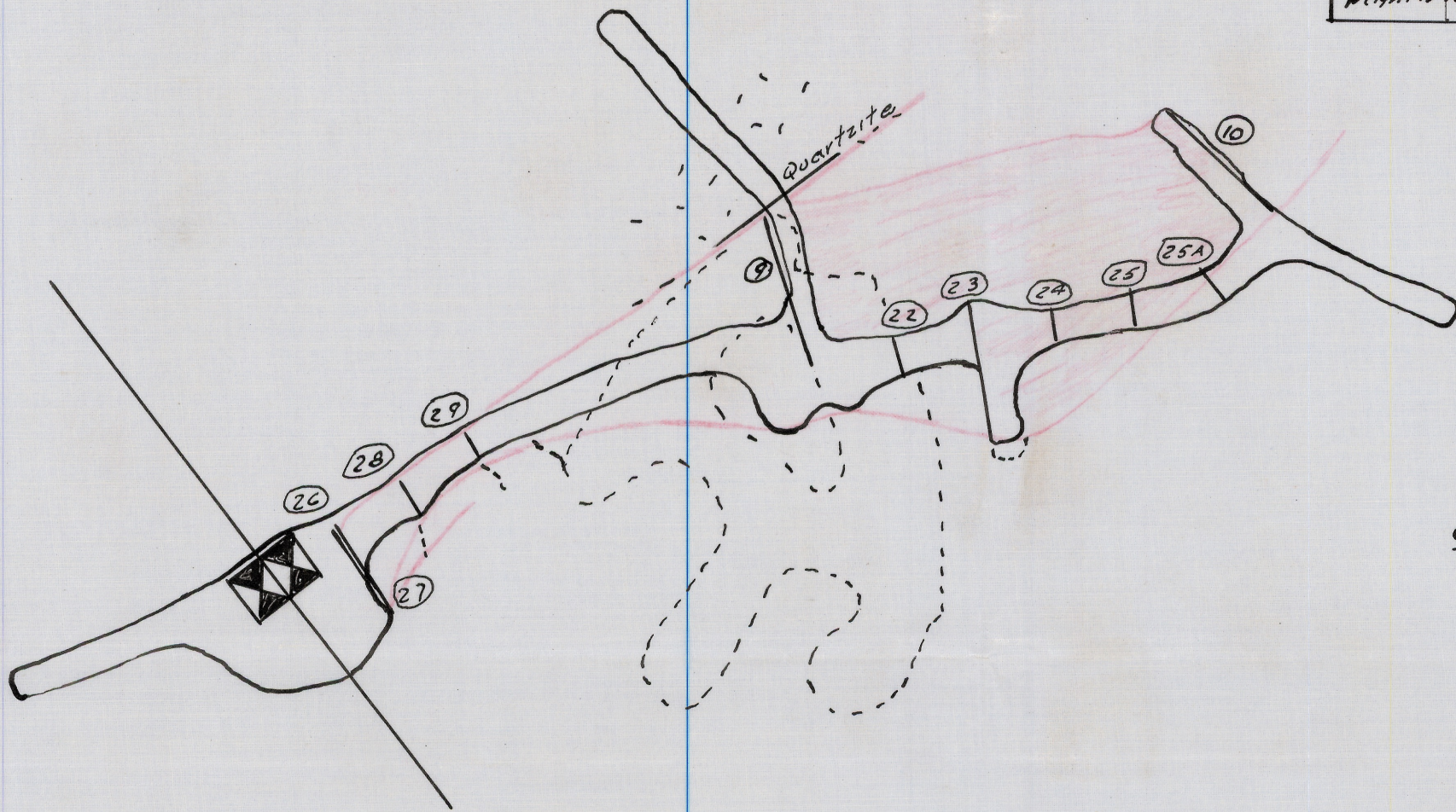
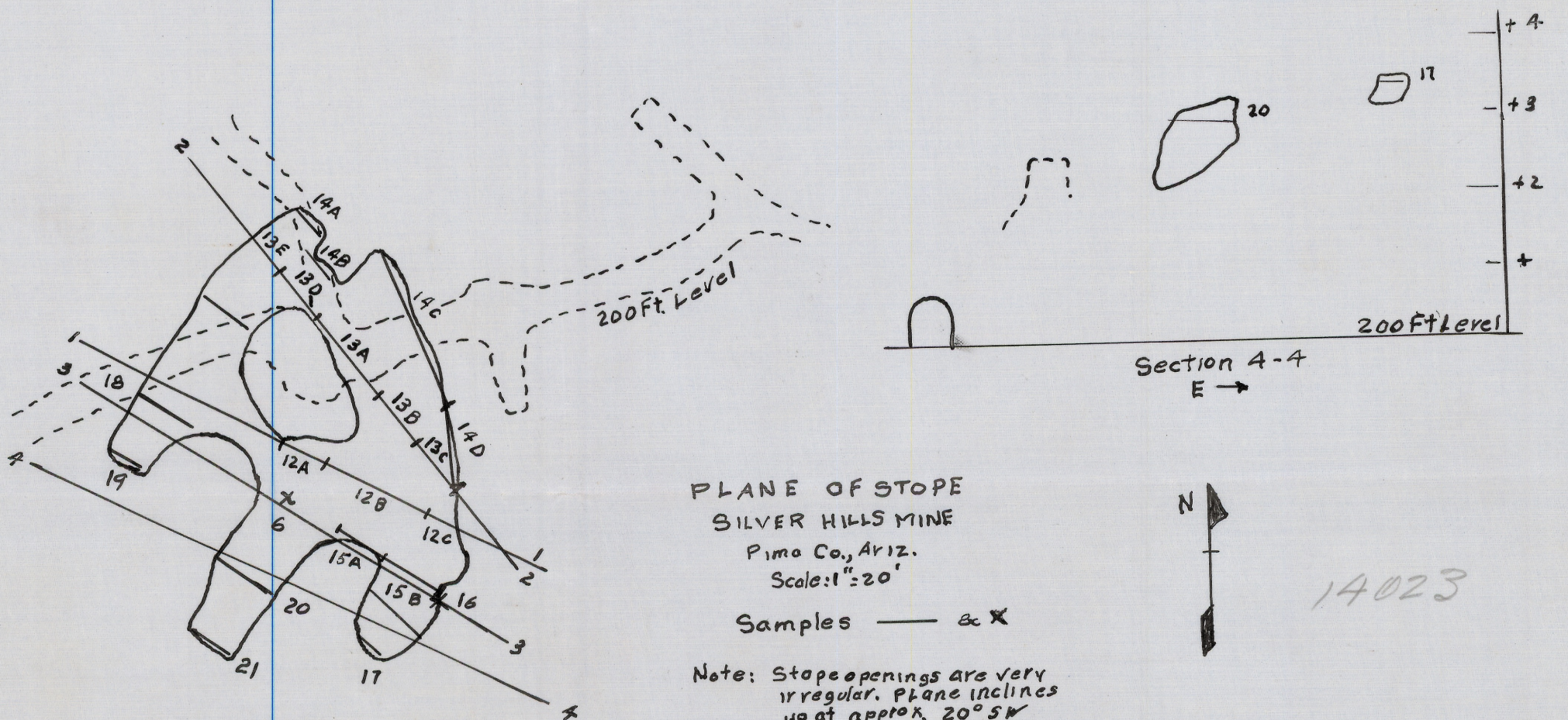
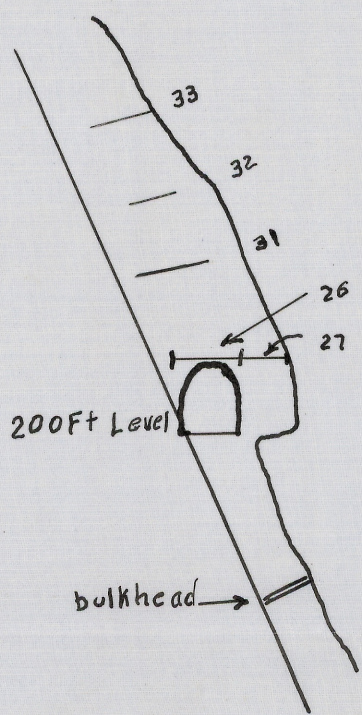
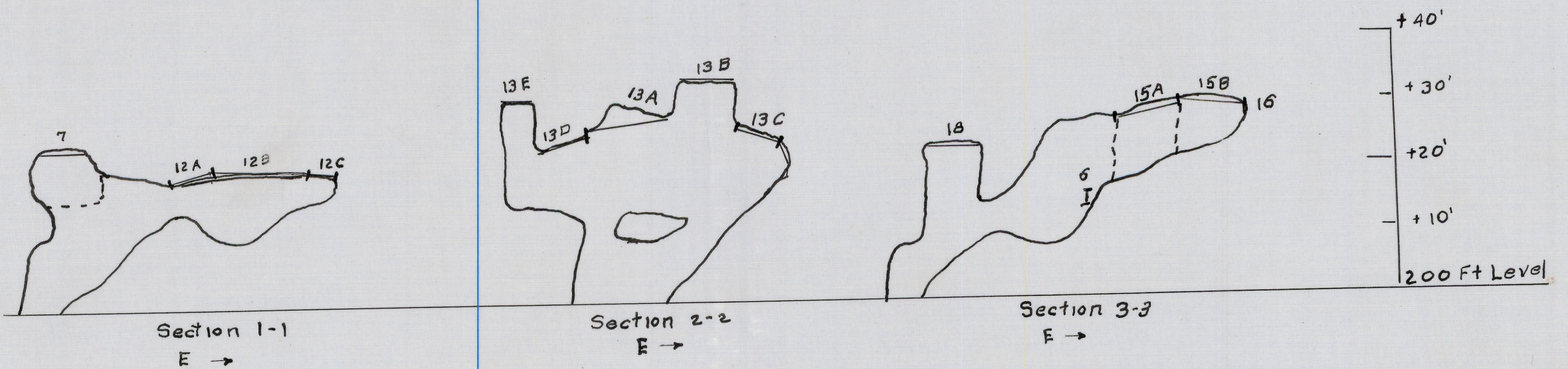


Sample	Width	Oz. Ag	% Cu	% Pb	% Zn
No. 9	240"	3.3	3.62	.10	.49
10	216"	3.4	3.02	.10	.29
22	42"	6.8	4.15	3.53	1.26
23	222"	7.6	5.00	2.24	.66
24	60"	4.2	3.26	1.02	.55
25	60"	6.6	1.25	2.65	.60
25A	60"	No ore	Not sampled		
26	90"	3.2	11.90	.68	
27	60"	Nil	4.10	.75	20.79
28	40"	1.2	4.55	.61	29.70
29	60"	No ore	Not sampled		
Weighted Average		3.9	3.99	.79	



200 FT. LEVEL  
SILVER HILLS MINE  
Pima Co. - Arizona  
Scale: 1" = 20'

T.P. Lane  
8-20-42



PLANE OF STOPE  
SILVER HILLS MINE  
Pima Co., Ariz.  
Scale: 1" = 20'

Samples — & X

Note: Stope openings are very irregular. Plane inclines up at approx. 20° SW

14023

T.P.L.  
8/20/42