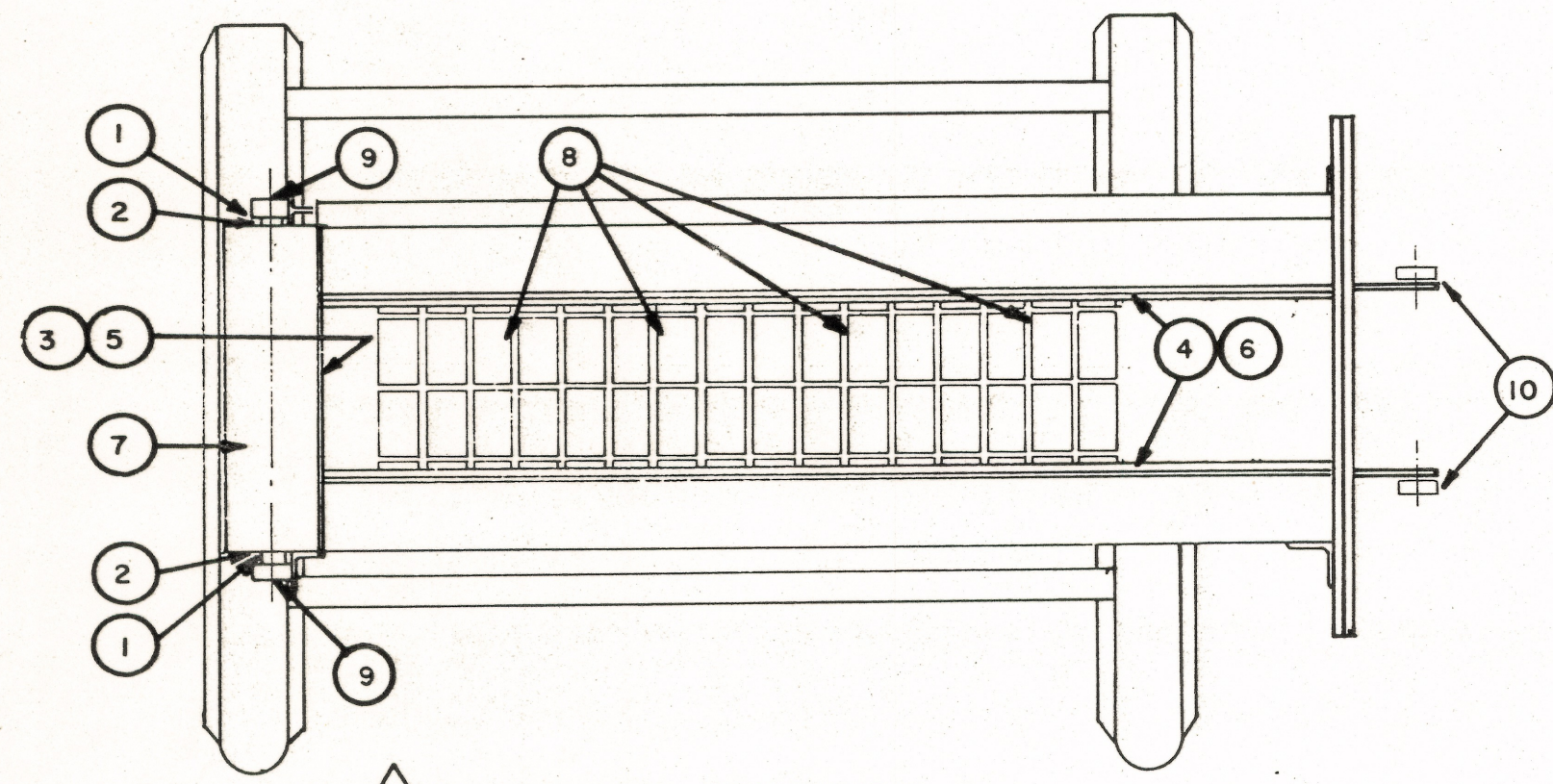
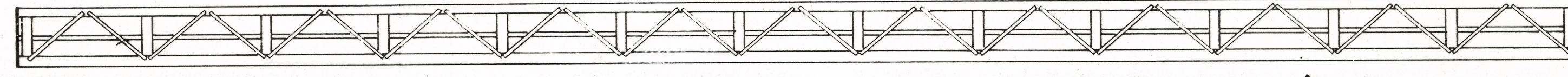


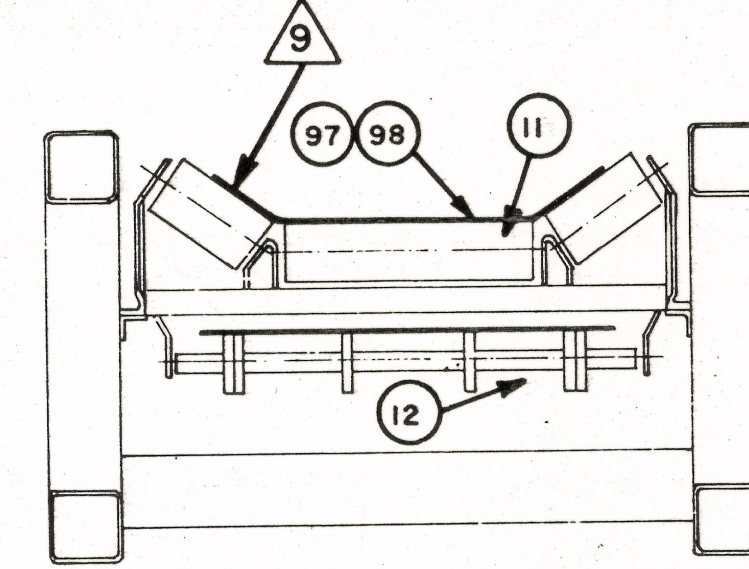
AGGLOMERATE SPREADING SYSTEM ELEVATION



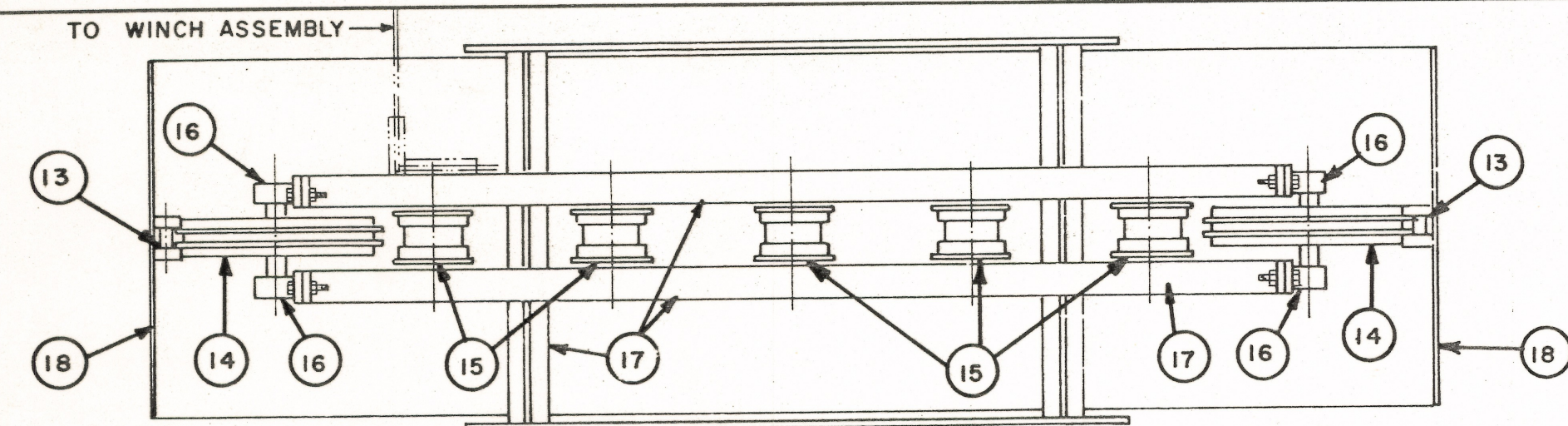
1 DUMP BOX - PLAN VIEW



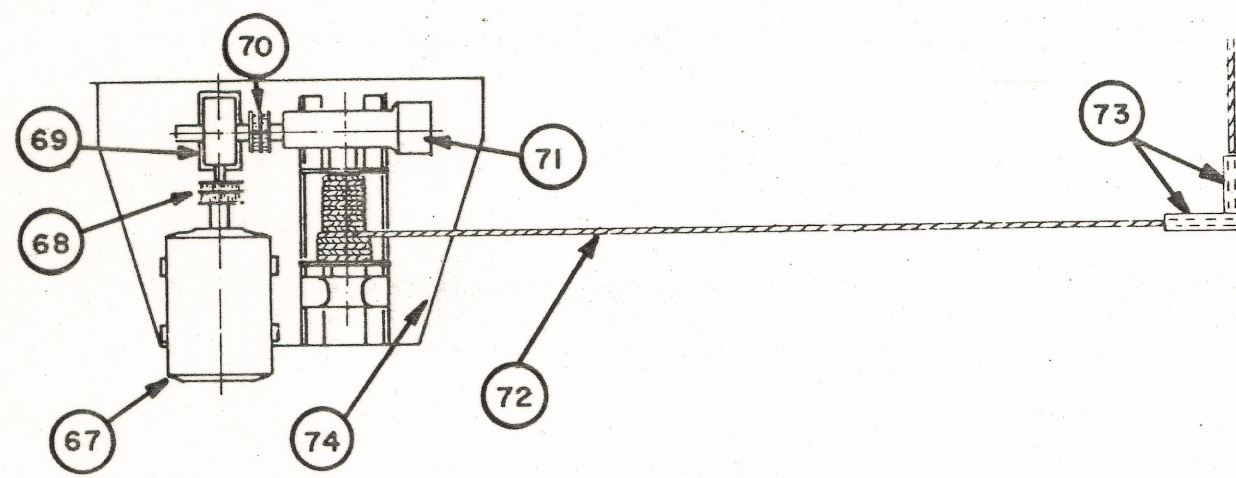
2 TYPICAL 80' SPREADER SECTION



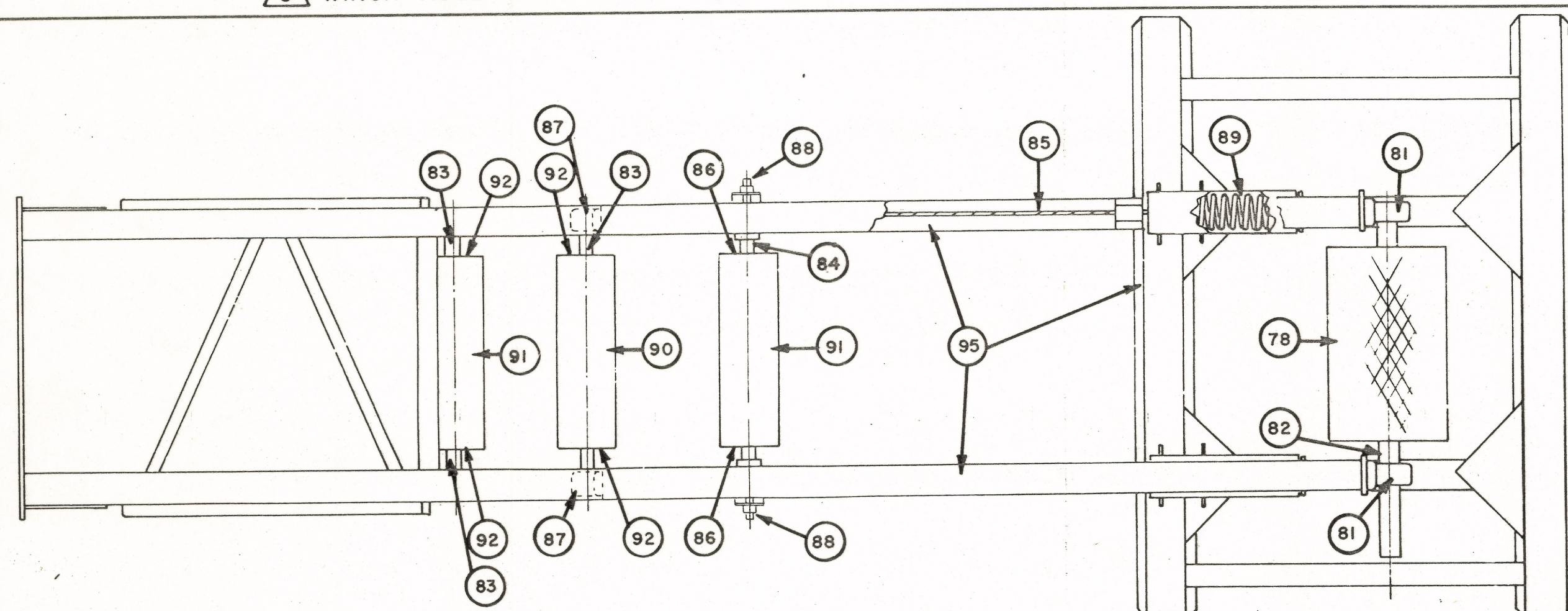
TYPICAL CROSS-SECTION



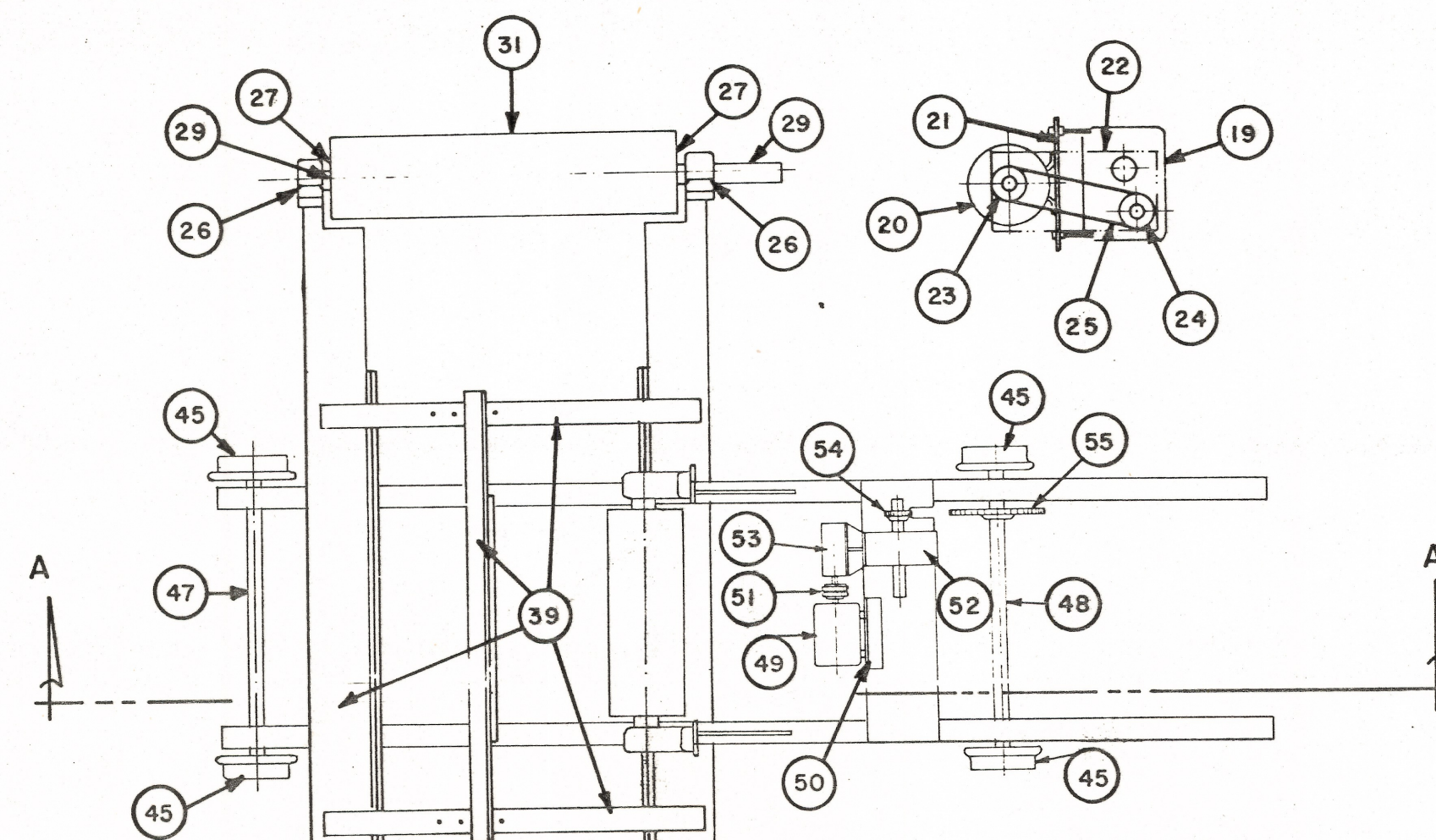
3 CRAWLER TRACK ASSEMBLY - PLAN VIEW



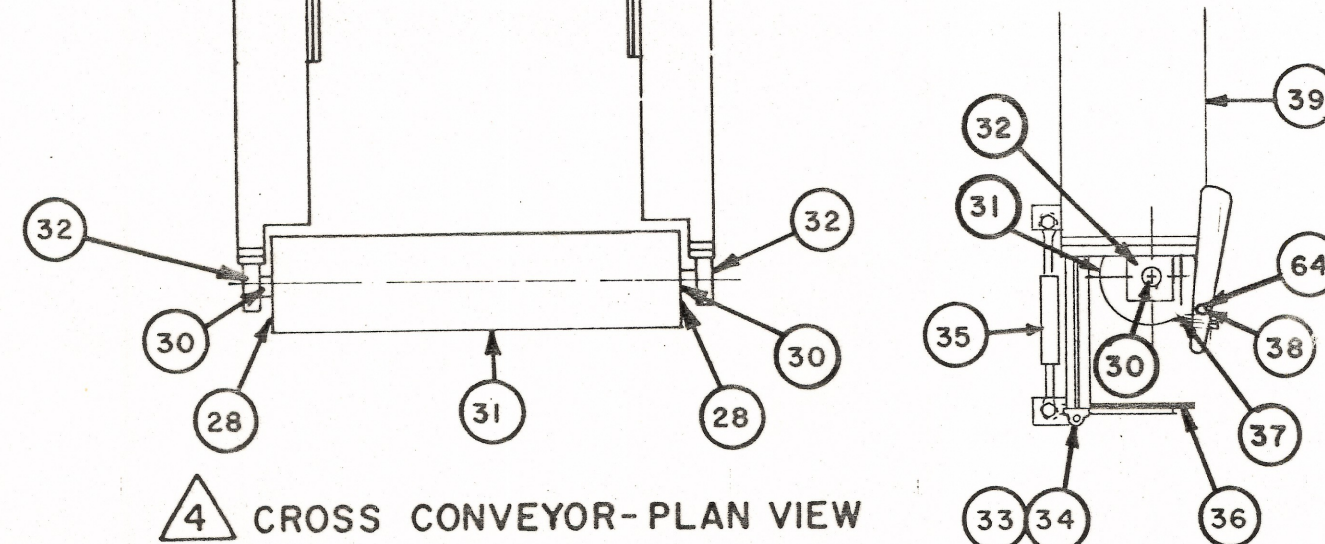
6 WINCH ASSEMBLY - PLAN VIEW



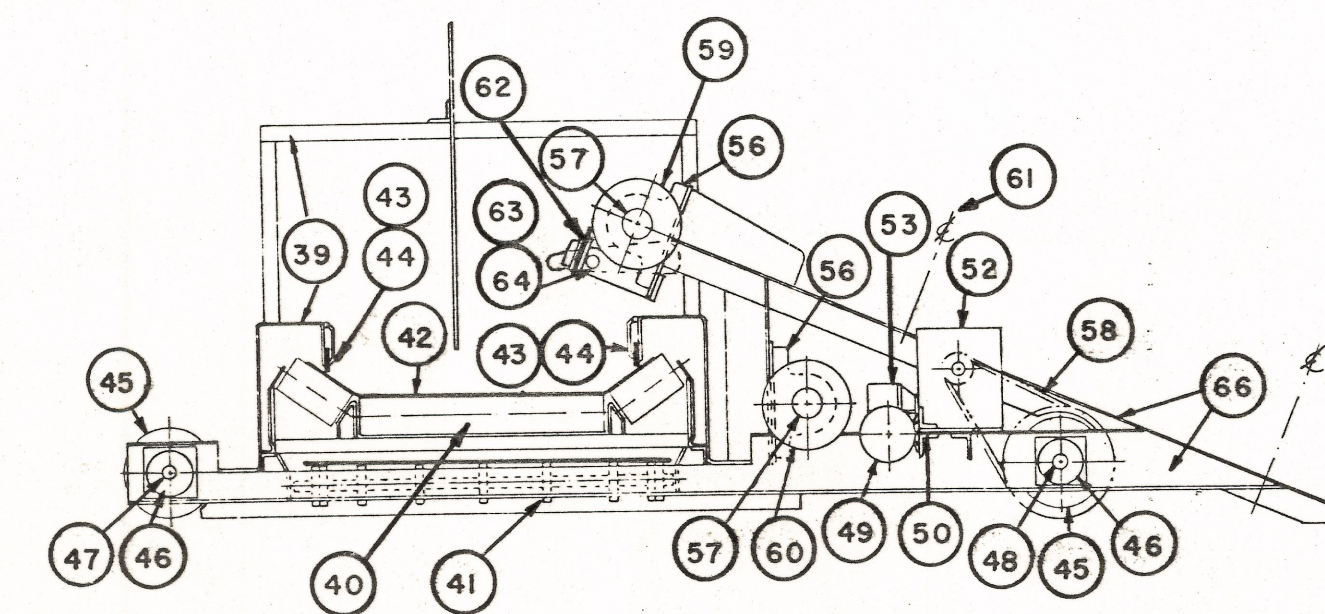
7 DRIVE AND TAKE-UP ASSEMBLY



4 CROSS CONVEYOR - PLAN VIEW



5 TRIPPER - PLAN VIEW



SECTION A-A CROSS CONVEYOR AND TRIPPER

THE DRAWINGS DEPICTED ON THIS SHEET ARE REDUCTIONS - DO NOT SCALE -

R. R. HENSLER, INCORPORATED
 2401 GINTER RD. EAST-TUCSON, ARIZ.
 DRAWN BY C. RIGGS
 SCALE N.T.S.
 DATE 10/77
 APPROVED BY
 RANCHERS EXPLORATION - WESTERN COLORADO
 PROJECT - AGGLOMERATE SPREADER
 DRAWING NUMBER 408-4-A

COMPONENTS, MECHANICAL		
ITEM	DESCRIPTION	QTY.
DUMP BOX		
1	SHAFT 2-1/16" Ø X 4'-3" LG	1
2	PILOTTED FLANGE BEARING W/ 2-15/16" Ø BORE	2
3	WIPER RUBBER, 3/4" X 3-3/4" X 2'-0" (50-55 DUROMETER)	1
4	WIPER RUBBER, 3/4" X 3-3/4" X 12'-0" (50-55 DUROMETER)	2
5	CONCAVE WIPER BLADE, 1/2" X 6" X 2'-0" W/ 2 EA. 5/8" X 2-1/2" PLOW BOLTS	1
6	CONCAVE WIPER BLADE, 1/2" X 6" X 6'-0" W/ 4 EA. 5/8" X 2-1/2" PLOW BOLTS	4
7	PULLEY, PLAIN, 12" Ø X 39"	1
8	IMPACT ROLLER CLUSTER W/ 16 EA. 5" Ø X 4" ROLLERS	4
9	BLOCK W/ BOLTS, 2-15/16" Ø BORE	2
10	SINGLE ROW RADIAL BEARING 1/2-3/4" Ø BORE	2
36" BW, SELF-ALIGNING RETURN IDLER		
TYPICAL 80' SPREADER SECTION		
11	36" BW, 5" Ø, 35° TROUGHING IDLER, W/ EXTENDED CENTER ROLLER AND 4 EA. 5/8" X 1-3/4" BOLTS	134
12	36" BW, 6" Ø, RUBBER DISC RETURN ROLLER W/ 4 EA. 5/8" X 1-3/4" BOLTS	49
CRAWLER TRACK ASSEMBLY		
13	CHAIN, W/ 5.75" PITCH X 49 SECTION	4
14	IDLER, 19" Ø W/ 1-1/2" Ø SHAFT	8
15	TRACK ROLLER, 10" Ø	20
16	BLOCK W/ BOLTS, 1-1/2" Ø BORE	16
17	FRAME	4
18	TRACK SHOE W/ 4 EA. 1/2" X 1-3/4" BOLTS	200
CROSS BELT CONVEYOR		
19	REDUCER, AGMA NO. 207015	1
20	MOTOR, 10HP, 480V, 60HZ, 3PH, 1800 RPM	1
21	MOTOR MOUNT	1
22	BELT GUARD	1
23	SHEAVE, 28, 7" Ø, 1-3/8" TAPERLOCK	1
24	SHEAVE, 28, 7" Ø, 1-7/16" TAPERLOCK	1
25	BELT, 858	2
26	PILLOW BLOCK, 4 BOLT, 2-7/16" Ø BORE	2
27	TAPERLOCK, 2-7/16" Ø (TAIL DRIVE PULLEY)	2
28	PILOTTED FLANGE BEARING, 2-15/16" Ø BORE (HEAD PULLEY)	2
29	SHAFT, 2-7/16" Ø X 5'-11" LG.	1
30	SHAFT, 2-15/16" Ø X 4'-11" LG.	1
31	PULLEY, PLAIN, 12" Ø X 4'-3" LG.	2
32	BLOCK W/ BOLTS, 2-15/16" Ø BORE	2
33	PILLOW BLOCK, 2 BOLT, W/ 1" Ø BORE	2
34	SHAFT, 1" Ø X 5'-4" LG.	1
35	RATCHET TYPE LOAD BINDER, W/ 8" TAKE-UP	1
36	RUBBER, 2 PLY, 12" X 4'-3"	1
37	WIPER RUBBER, 3/4" X 6" X 4'-3" LG (50-55 DUROMETER)	1
38	SHAFT, 1" Ø X 4'-8" LG.	1
39	FRAME	1
TRIPPER		
40	48" BW, 5" Ø, 35° TROUGHING IDLER, W/ EXT'D. CTR. ROLL AND 5/8" X 1-3/4" BOLT	8
41	48" BW, 6" Ø, RUBBER DISC RETURN ROLLER	2
42	BELT, 48", 210 PIW, 3/16" X 1/16" COVERS, 36"-9"	1
43	SKIRTING RUBBER, 3/4" X 3-3/4" X 12' (50-55 DUROMETER)	2
44	CONCAVE WIPER BLADE, 1/2" X 6" X 6'-0" W/ 5/8" X 2-1/2" PLOW BOLTS	4
45	RAIL WHEELS, 10" Ø W/ 1-15/16" Ø BORE	4
46	PILOTTED FLANGE BEARING W/ 1-15/16" Ø BORE	4
47	SHAFT, 1-15/16" Ø X 4'-3" LG. W/ KEYWAYS (IDLER)	1
48	SHAFT, 1-15/16" Ø X 4'-3" LG. W/ KEYWAYS (DRIVEN)	1
49	MOTOR, 1HP, 480V, 60HZ, 3PH, 1800 RPM	1
50	MOTOR MOUNT	1
51	CHAIN COUPLING, 7/8" Ø X 7/8" Ø BORE	1
52	REDUCER, 3.25" CENTER DISTANCE, 60:1 RATIO	1
53	REDUCER, 5.17" CENTER DISTANCE, 30:1 RATIO	1
54	SPROCKET, 1" PITCH, 16T W/ 1-3/4" TAPERLOCK	1
55	SPROCKET, 1" PITCH, 45T W/ 1-15/16" TAPERLOCK	1
56	PILLOW BLOCK, 4 BOLT, W/ 3-15/16" Ø BORE	4
57	SHAFT, 3-15/16" Ø X 4'-8" LG.	2
58	CHAIN, 1" PITCH, X 7' LG.	1
59	PULLEY, PLAIN, 12" Ø X 39"	1
60	PULLEY, LAGGED, 12" Ø X 39"	1
61	36" BW, 35° SELF-ALIGNING TROUGHING IDLER	1
62	WIPER RUBBER, 3/4" X 6" X 3'-3" LG. (50-55 DUROMETER)	1
63	SHAFT, 1" Ø X 3'-8" LG.	1
64	FLANGE BEARING W/ 1" Ø BORE	2
65	FRAME	1
WINCH ASSEMBLY		
67	MOTOR, 5HP, 480V, 60HZ, 3PH, 900 RPM	6
68	CHAIN COUPLING, 1-5/8" Ø X 1" Ø BORE	6
69	REDUCER, 3.25" CENTER DISTANCE, 30:1 RATIO	6
70	CHAIN COUPLING, 1-1/2" X 1-1/4" Ø BORE	6
71	WINCH, 15,000 LB., 27:1 RATIO	6
72	WIRE ROPE, 3/8" Ø X 100' LG., IWRC W/ THIMBLE	6
73	3/8" SHEAVE BLOCK, 9" Ø W/ 1-1/4" Ø BORE	8
74	FRAME	6
DRIVE AND TAKE-UP ASSEMBLY		
75	MOTOR, 100HP, 480V, 60HZ, 3PH, 1800 RPM	1
76	SHEAVE, 4C, 20" Ø W/ 2-7/16" TAPERLOCK	1
77	SHEAVE, 4C, 13" Ø W/ 2-7/8" TAPERLOCK	1
78	PULLEY, 24" Ø X 3'-3" LG., LAGGED W/ 2" DIAMOND GROOVE	1
79	BELT, 117C	4
80	REDUCER, AGMA NO. 407015	1
81	PILLOW BLOCK, 4 BOLT, W/ 4-7/16" Ø BORE	2
82	SHAFT, 4-7/16" Ø X 6'-5" LG.	2
83	SHAFT, 2-15/16" Ø X 4'-11" LG.	1
84	SHAFT, 2-15/16" Ø X 4'-11" LG.	1
85	WIRE ROPE, 1/2" Ø X 12'-0" LG. W/ THIMBLE	2
86	TAPERLOCK, 2-15/16"	2
87	PILLOW BLOCK, 4 BOLT, W/ 2-15/16" Ø BORE	2
88	WINCH, RATCHET TYPE	2
89	SPRING, 7-1/2" Ø X 15" W/ 1" COILS	4
90	PULLEY, LAGGED, 12" Ø X 3'-3" LG.	1
91	PULLEY, PLAIN, 12" Ø X 3'-3" LG.	2
92	PILOTTED FLANGE BEARING W/ 2-15/16" Ø BORE	4
93	MOTOR MOUNT	1
94	BELT GUARD	1
95	FRAME	1
SKID PLATES		
96	1/4" X 2'-0" X 10'-0"	8
SPREADER BELT		
97	BELT, 36", 210 PIW, 3/16" X 1/16" COVERS X 860"	1
98	NO. 140 STAINLESS STEEL BELT FASTENERS	30