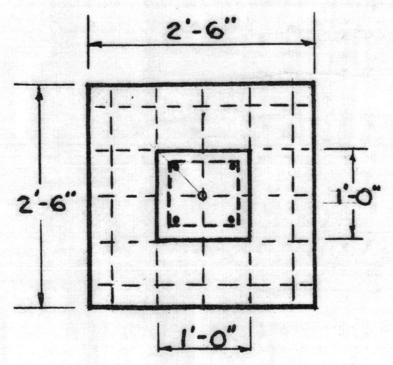
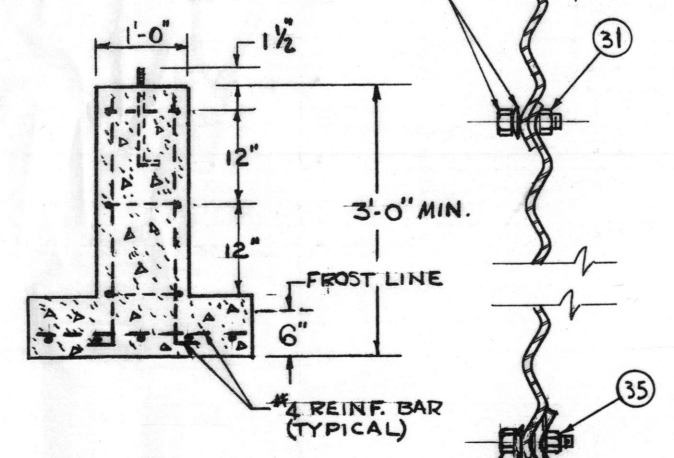


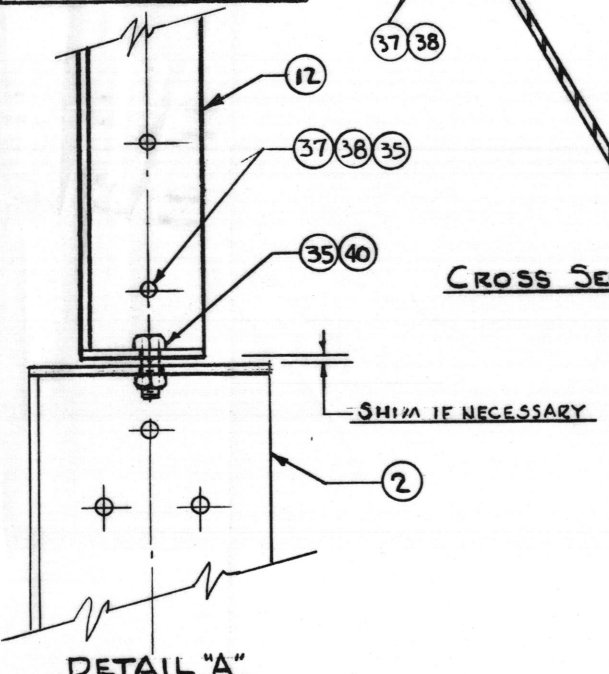
KEY PLAN  
ANCHOR BOLT LOCATION



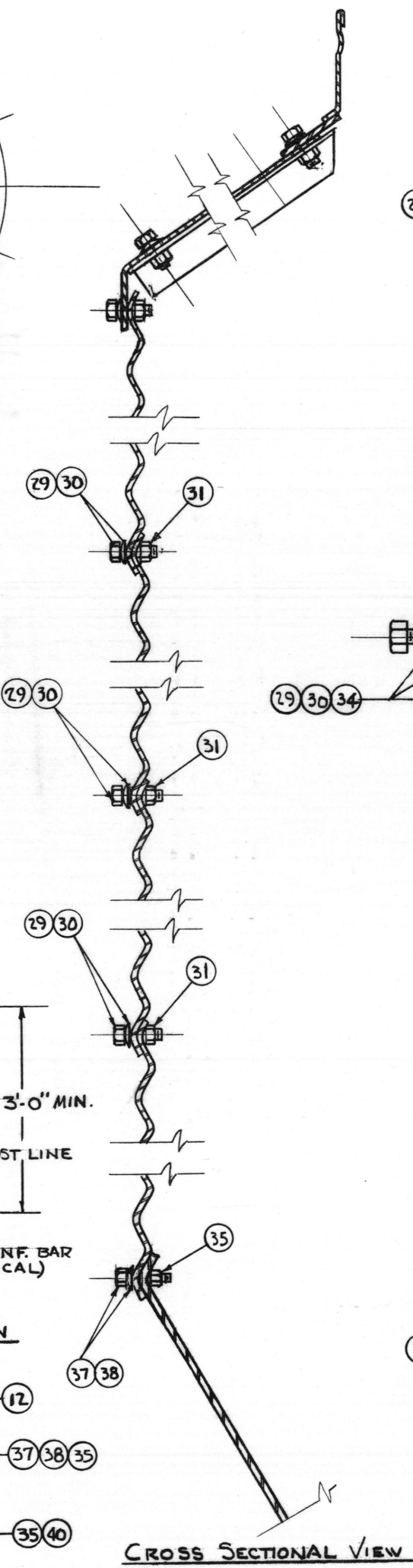
PLAN



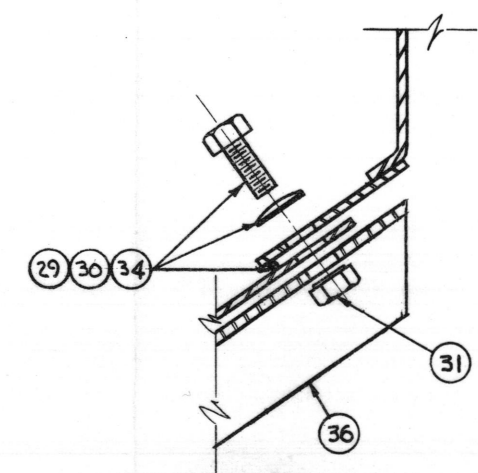
SUGGESTED FOUNDATION



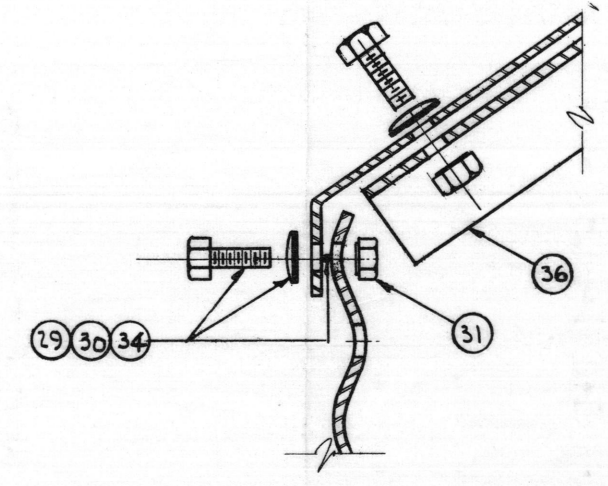
DETAIL "A"



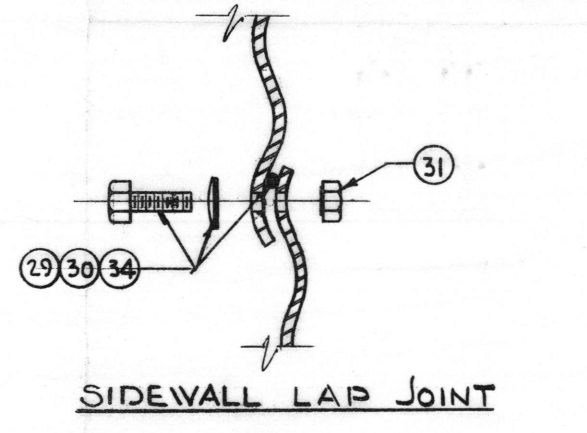
CROSS SECTIONAL VIEW



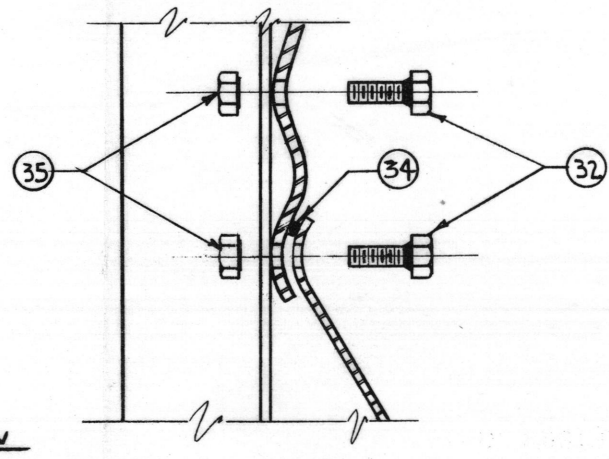
MANHOLE TO ROOF



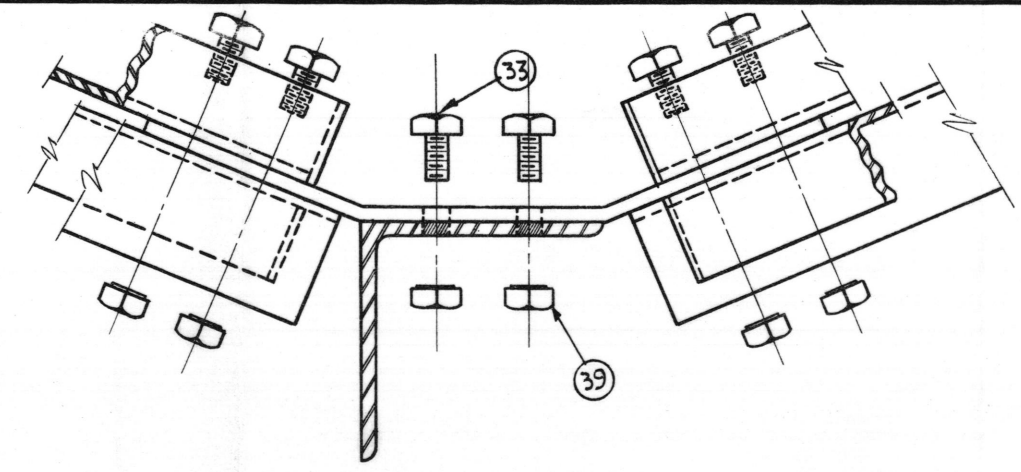
ROOF TO SIDEWALL



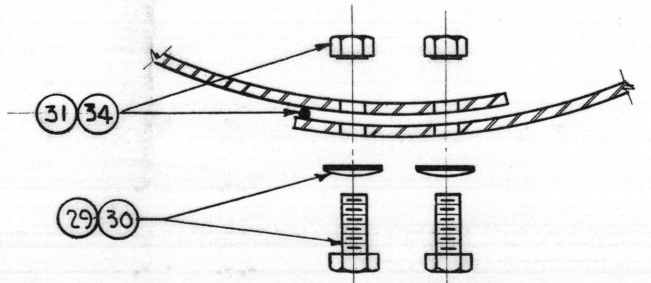
SIDEWALL LAP JOINT



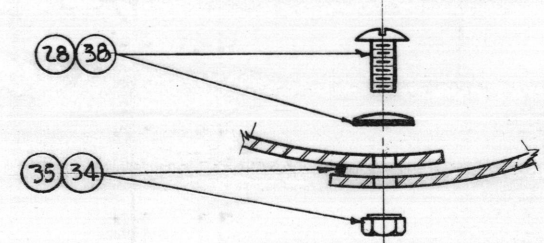
LEGS TO SIDEWALL



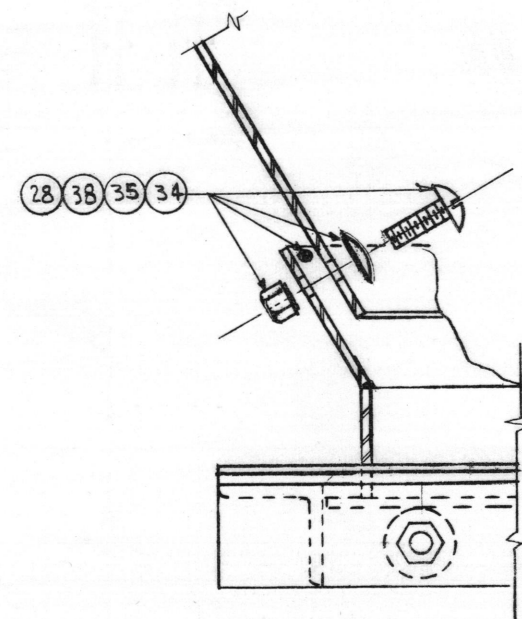
"X"-BRACING TO LEG



SIDEWALL LAP JOINT (VERT.)

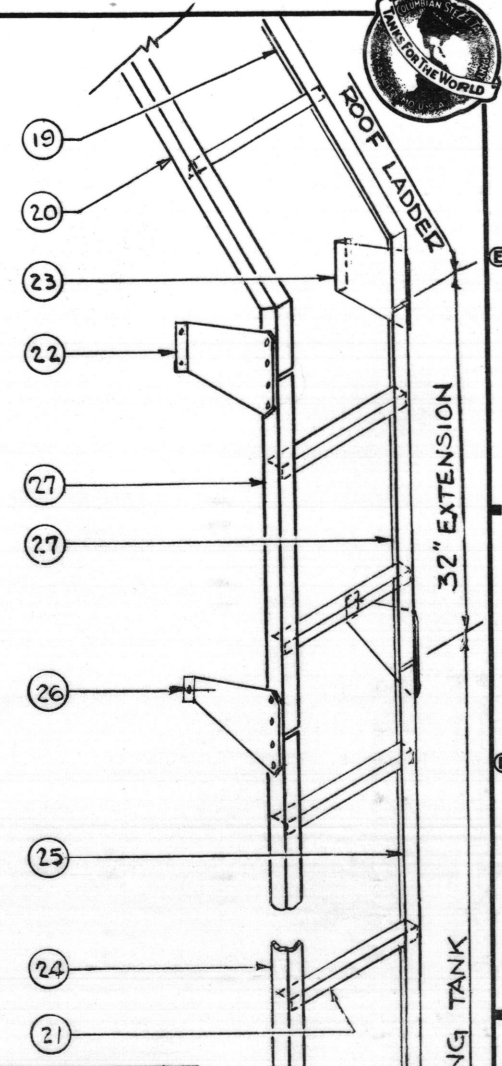


HOPPER LAP JOINT



SLIDE VALVE TO HOPPER

DISTRIBUTOR  
WALTER LUNT SALES CO.,  
4356 E. HUBBELL  
PHOENIX, ARIZONA 85008  
PHONE (602) 275-9839



LADDER DETAILS

40	BOLTS - 3/8" φ x 1 1/4" HEX.H.D.
39	NUTS - 1/2" SQ.
38	WASHERS - (NEOPRENE) 3/8" φ
37	BOLTS - 3/8" φ x 1 1/2" HEX HEAD
36	ROOF STIFFENER
35	NUTS - 3/8" φ HEX
34	SEALING COMPOUND
33	BOLTS - 1/2" φ x 1" SQ. H.D.
32	BOLTS - 3/8" φ "TUFT-TITE"
31	NUTS - 5/16" φ
30	BOLTS - 3/16" φ x 3/4" HEX. HEAD
29	WASHERS - (NEOPRENE) 5/16" φ
28	BOLTS - 3/8" φ x 3/4" SLOT HEAD
27	QC-401-9 LADDER EXTENSION (32" SHOWN)
26	QC-141-17 BRACKET - STANDARD
25	QC-401-2 LADDER SIDE BASIC (R.H.)
24	QC-401-1 LADDER SIDE BASIC (L.H.)
23	QC-141-16 BRACKET (UPPER R.H.)
22	QC-141-15 BRACKET (UPPER L.H.)
21	QC-141-10 LADDER RUNGS
20	QC-401-6 ROOF LADDER SIDE (L.H.)
19	QC-401-7 ROOF LADDER SIDE (R.H.)
18	QC-402-1A MANHOLE COVER ASSY.
17	QC-431-1 ROOF SECTION
16	QC-400-1 ROOF STIFFENER
15	QC-177-5 SIDEWALL SHEET-20GA.
14	QC-177-5 SIDEWALL SHEET-20GA.
13	QC-177-4 SIDEWALL SHEET-18GA.
12	QC-403-2 STIFFENER ASSY.
11	QC-177-4 SIDEWALL SHEET-18GA.
10	QC-403-5 SHIM-16 GA.
9	QC-403-4 SHIM-14GA.
8	QC-177-1 SIDEWALL SHEET-12GA.
7	QC-404-3 BRACKET-TOP & BTM.
6	QC-396-1 HOPPER SECTION
5	QC-404-4 BRACKET-INTER/MEDIATE
4	QC-404-2 STRUT
3	QC-404-1 "X" BRACE
2	QC-432-1A LEG ASSEMBLY
1	QC-178A SLIDE VALVE ASSY.

NO.	REVISION	ZONE	DATE	BY	APR.	DISTRIBUTION
1						LAYOUT
2						PROD. CONTROL
3						SHEAR
4						OLD WELD
5						NEW WELD
6						INSPECTOR
7						BOTTOM
8						SALES
9						COST
10						FINISHING
						PLUMBING
						GALVANIZING
						SUP'T.
						TIN
						MACHINE

**ERECTION DETAILS**  
"FLOW-MATIC" BULK FEED STORAGE TANK  
12 FT. DIA. - ALL MODELS

SCALE: NONE  
DATE: AUG. 1, 1960  
NEXT ASS'N. DWG. NO.  
DWG. NO. GD-179

**COLUMBIAN STEEL TANK COMPANY**  
EST'D 1893  
1401-1621 W. 172<sup>ND</sup> STREET  
KANSAS CITY, I. MO. U.S.A.

ADMMR 0070-010

