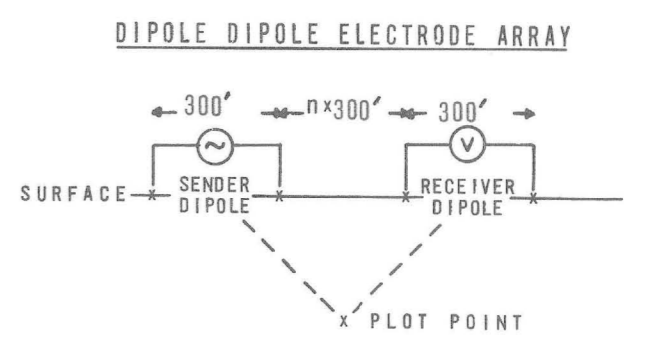
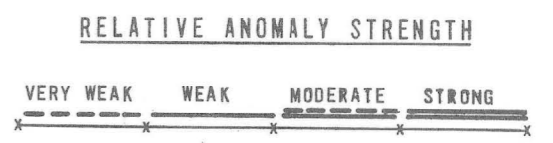


INDUCED POLARIZATION TRAVERSE
SECTIONAL DATA SHEET
for
C. F. & I. STEEL CORP.



AREA
GLOVE MINE
LOOKING
WEST
DATE
MAY 1971

HEINRICHS GEOEXPLORATION COMPANY

AUSTRALIA (SYDNEY) 39 Hume Street Crows Nest, NSW Phone: 439-1793	U.S.A. Post Office Box 5964 Tucson, Arizona 85703 Phone: (602) 623-0578 Cable: GEDEX, Tucson
--	---