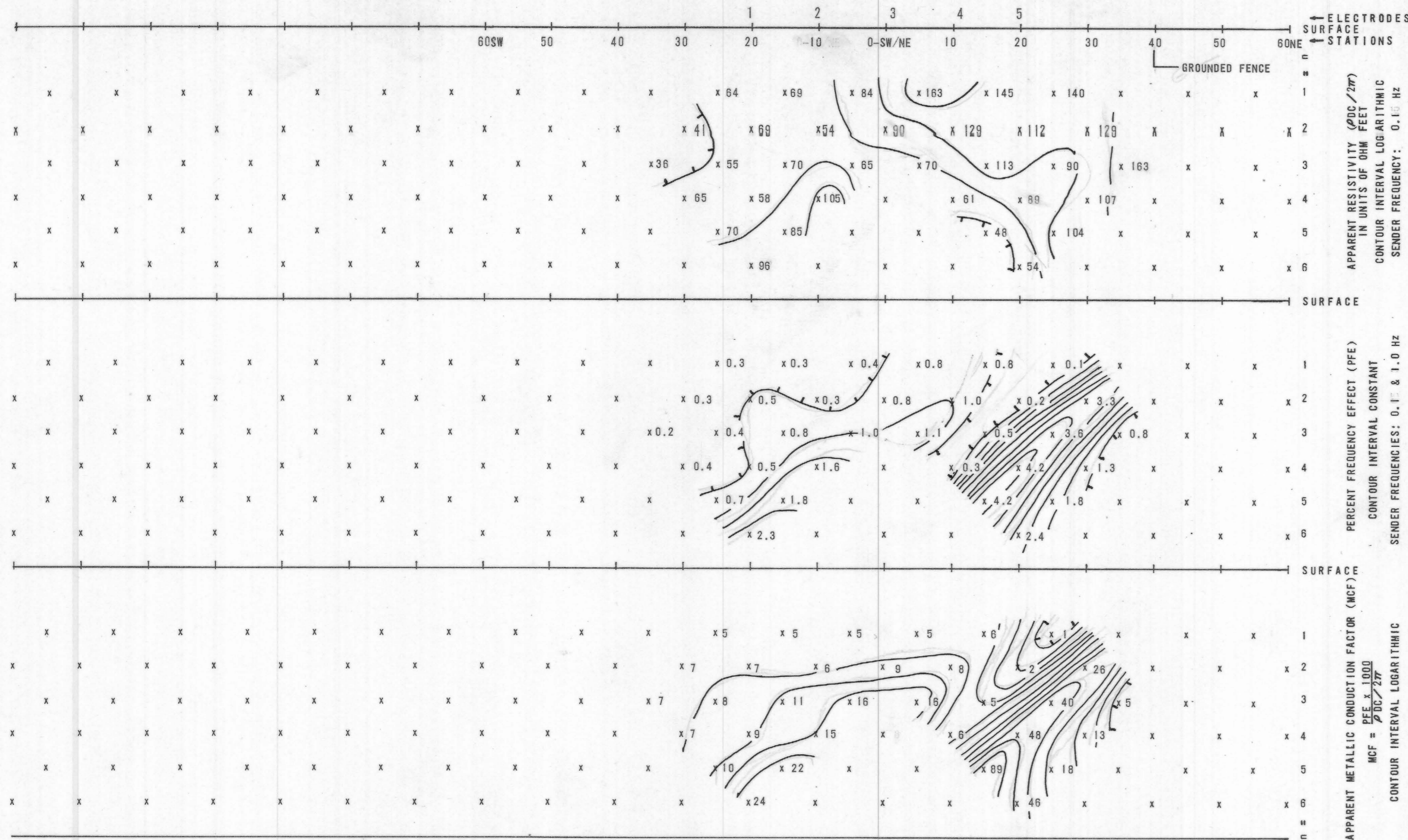


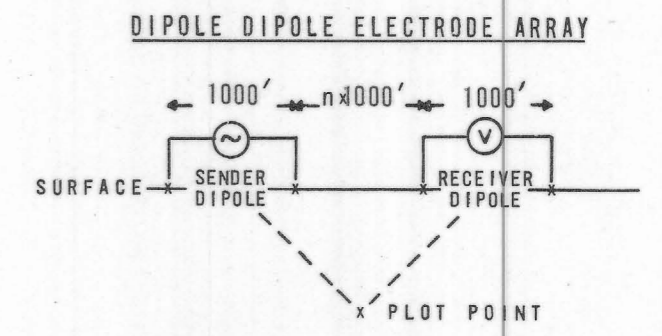
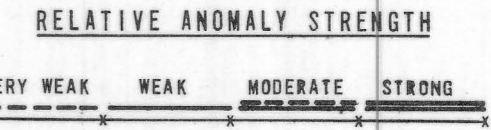
INDUCED POLARIZATION TRAVERSE SECTIONAL DATA SHEET for CITIES SERVICE MINERALS CORPORATION



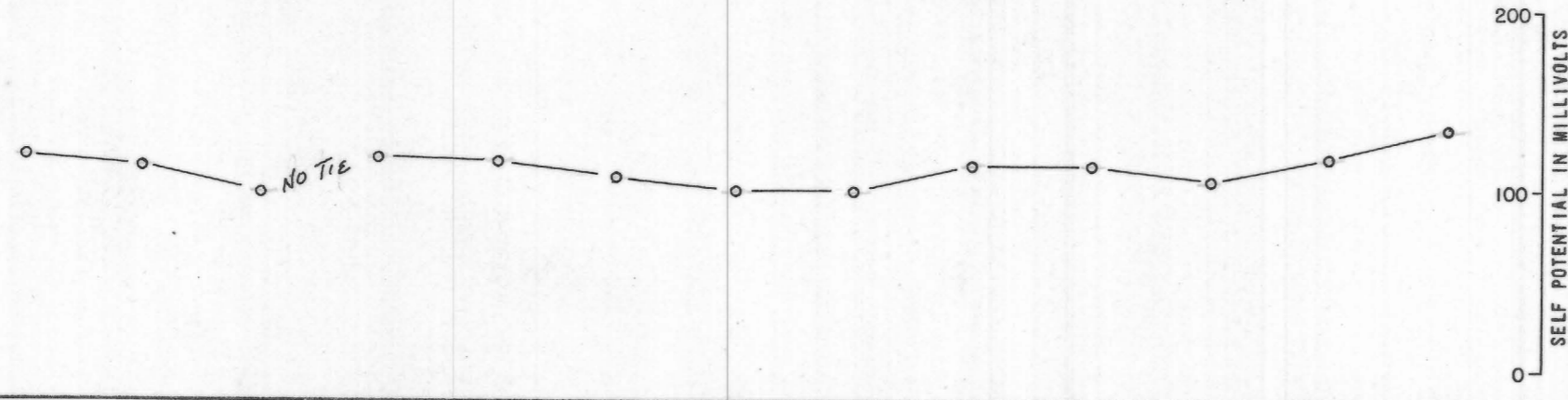
APPARENT RESISTIVITY (20C/27F)
IN UNITS OF OHM FEET
CONTOUR INTERVAL LOGARITHMIC
SENDER FREQUENCY: 0.16 HZ

PERCENT FREQUENCY EFFECT (PFE)
CONTOUR INTERVAL CONSTANT
SENDER FREQUENCIES: 0.1 & 1.0 HZ

APPARENT METALLIC CONDUCTION FACTOR (MCF)
MCF = $\frac{PFE \times 1000}{PDC/27}$
CONTOUR INTERVAL LOGARITHMIC



AREA
BAGDAD
LOOKING
N 20° W
DATE
FEB 1970
SCALE



**HEINRICHS
GEOEXPLORATION COMPANY**

AUSTRALIA U.S.A.
(SYDNEY) Post Office Box 5964
39 Hume Street Tucson, Arizona 85703
Crows Nest, NSW Phone: (602) 623-0578
Phone: 439-1793 Cable: GEOEX, Tucson

GEOLOGICAL ENGINEERS