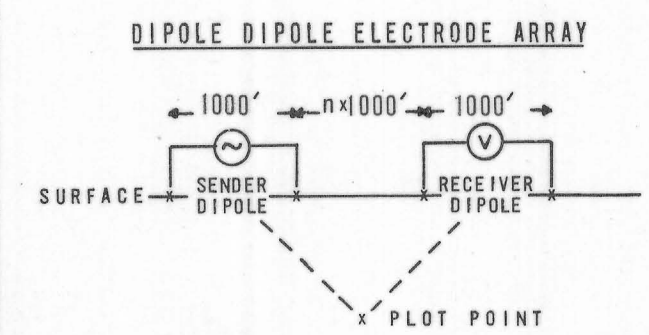
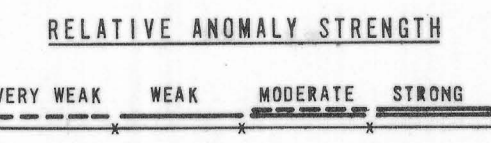


INDUCED POLARIZATION TRAVERSE
SECTIONAL DATA SHEET
for
CITIES SERVICE MINERALS CORPORATION



AREA
BAGDAD
LOOKING
WEST
DATE
FEB 1970
SCALE

**HEINRICHS
GEOEXPLORATION COMPANY**

AUSTRALIA U.S.A.
(SYDNEY) Post Office Box 5964
39 Hume Street Tucson, Arizona 85703
Crows Nest, NSW Phone: (602) 623-0578
GEO PHYSICAL Phone: 439-1783 Cable: GEOEX, Tucson
ENGINEERS

