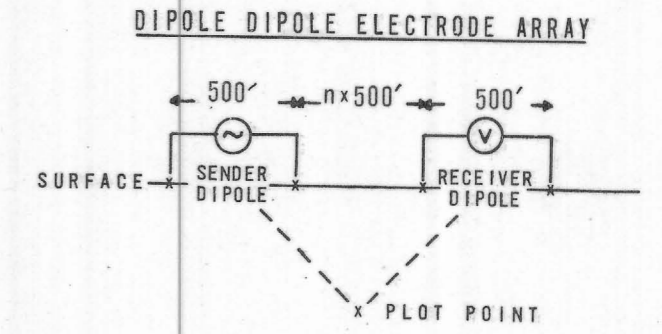
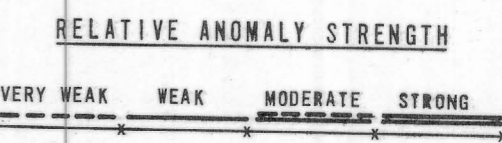
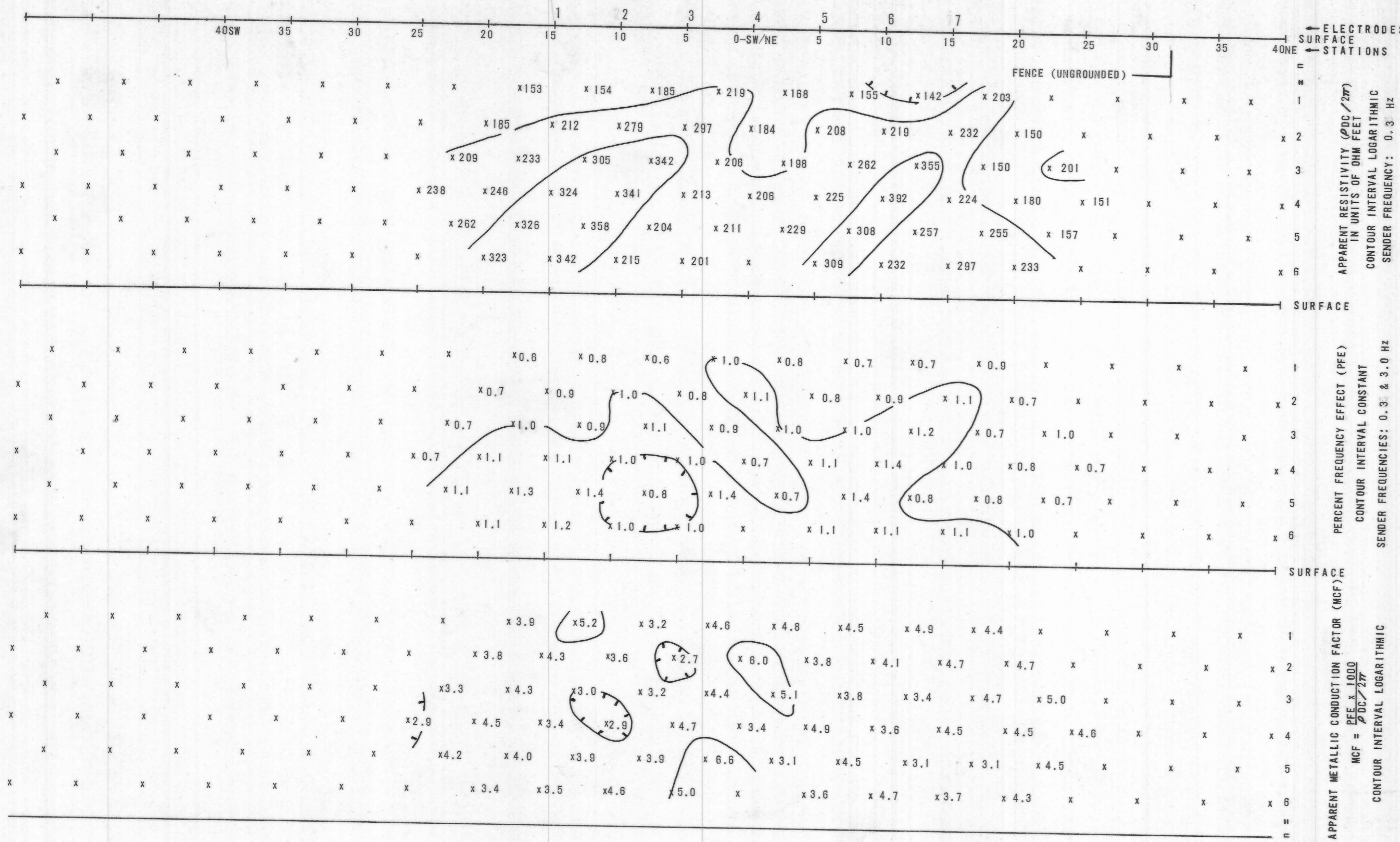
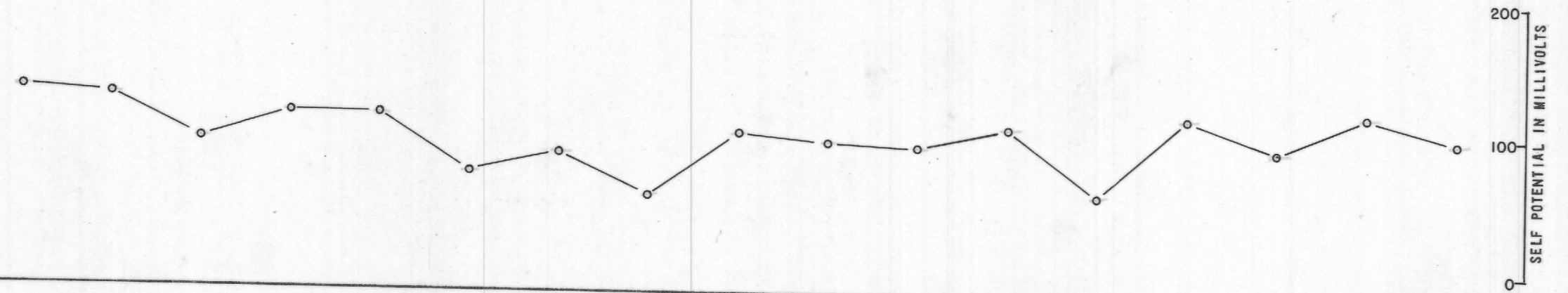


INDUCED POLARIZATION TRVERSE  
SECTIONAL DATA SHEET  
for  
CITIES SERVICE MINERALS CORPORATION



AREA  
BAGDAD  
LOOKING  
N 45° W  
DATE  
NOV 1970  
SCALE



HEINRICHS  
**GEOEXPLORATION COMPANY**  
AUSTRALIA    U.S.A.  
(SYDNEY)    39 Hume Street    Post Office Box 5964  
Crow's Nest, NSW    Tucson, Arizona 85703  
Phone: 439-1793    Phone: (602) 623-0578  
Cable: GEDEX, Tucson