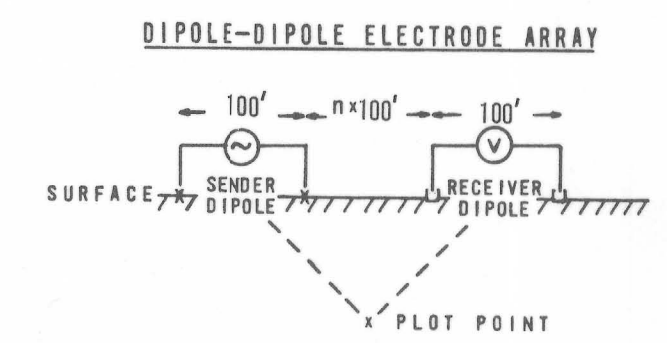
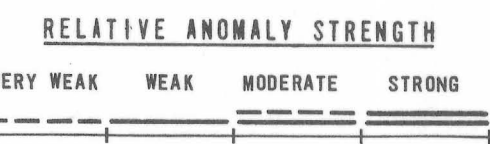
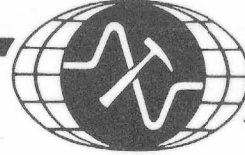


LINE NO.  
B  
SPREAD(S)  
1  
BEARING  
E/W

INDUCED POLARIZATION TRVERSE  
SECTIONAL DATA SHEET  
of  
PICO AREA  
PINAL COUNTY, ARIZONA  
for  
NORTH AMERICAN MINES, INC.



DATE  
MAY 1973

HEINRICHS  GEOEXPLORATION COMPANY

806 W. GRANT ROAD, POST OFFICE BOX 5964, TUCSON, ARIZ., 85703, PHONE: (602)623-0578

