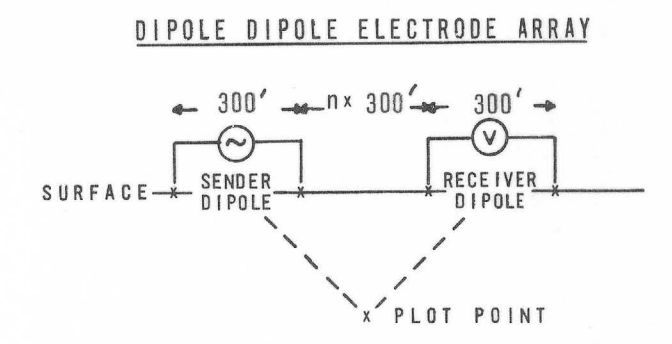
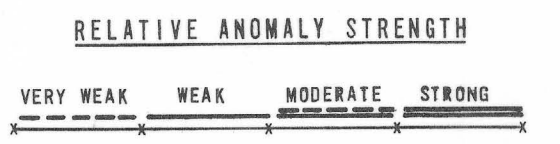


624-71

INDUCED POLARIZATION TRAVERSE
 SECTIONAL DATA SHEET
 for
 NORTH AMERICAN MINES



AREA
 CUPRITE MINE
 LOOKING
 N 29° W
 DATE
 AUG 1971

HEINRICHS GEOEXPLORATION COMPANY
 AUSTRALIA (SYDNEY) 39 Hume Street Crows Nest, NSW Phone: 439-1793
 U.S.A. Post Office Box 5964 Tucson, Arizona 85703 Phone: (602) 623-0578 Cable: GEOEX, Tucson
 GEOPHYSICAL ENGINEERS

LINE NO. 5
 SPREAD(S) 1