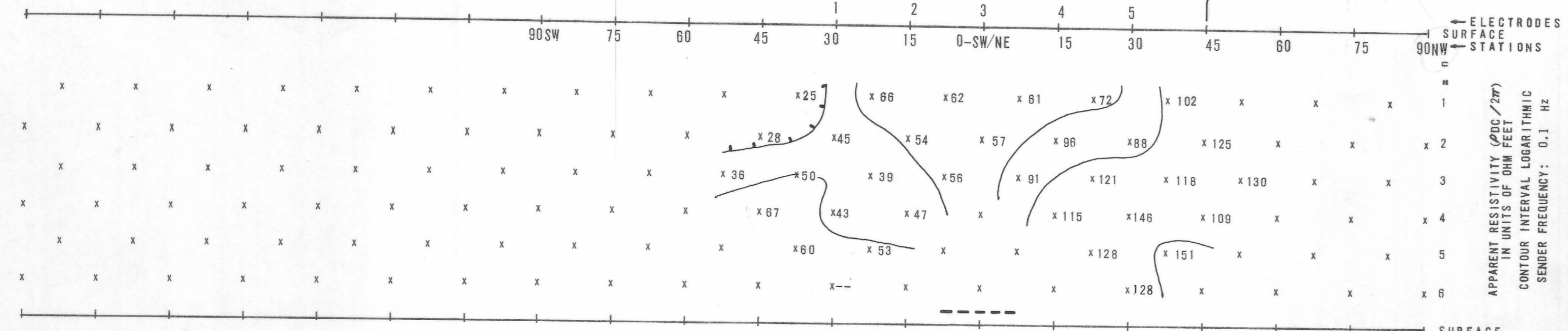
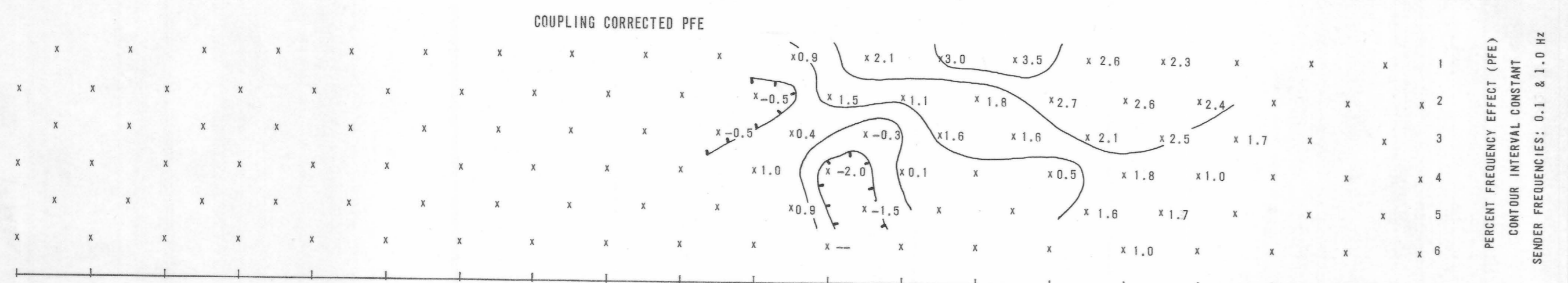


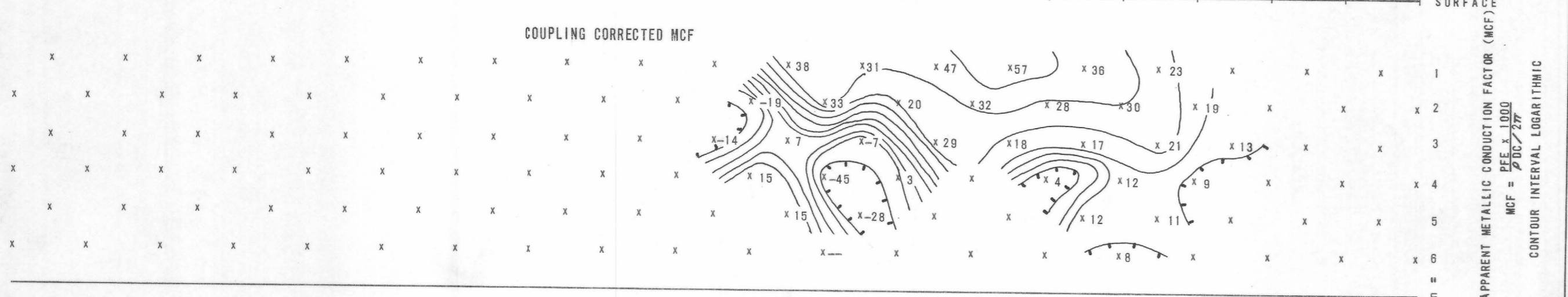
SPREAD 1  
INTERFACE?



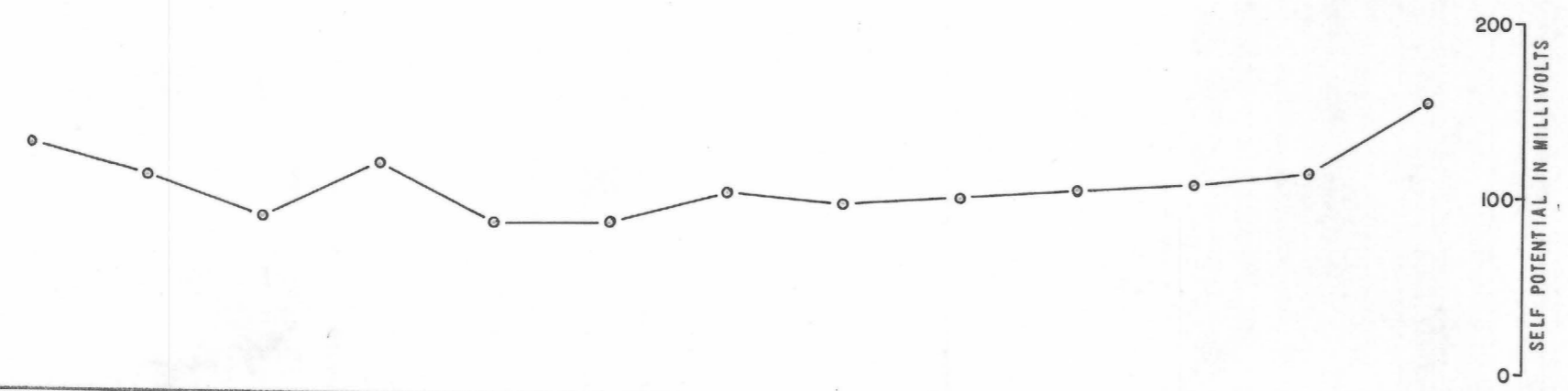
APPARENT RESISTIVITY ( $\rho_{DC}/2\pi$ )  
IN UNITS OF OHM FEET  
CONTOUR INTERVAL LOGARITHMIC  
SENDER FREQUENCY: 0.1 Hz



PERCENT FREQUENCY EFFECT (PFE)  
CONTOUR INTERVAL CONSTANT  
SENDER FREQUENCIES: 0.1 & 1.0 Hz

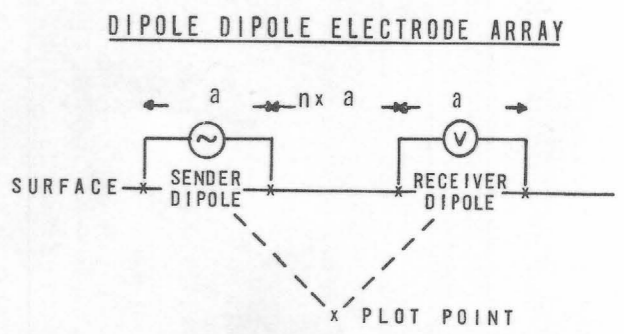
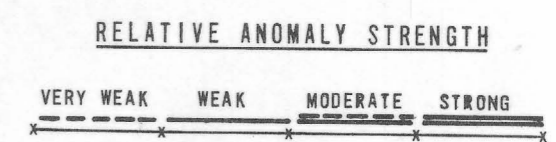


APPARENT METALLIC CONDUCTION FACTOR (MCF)  
 $MCF = \frac{PFE \times 1000}{\rho_{DC}/2\pi}$   
CONTOUR INTERVAL LOGARITHMIC



445-69

LINE NO. 2  
SPREAD(S) 1  
INDUCED POLARIZATION TRAVERSE  
SECTIONAL DATA SHEET  
for  
INSPIRATION CONSOLIDATED COPPER CO.



AREA  
ORIZABA CLAIMS AREA  
LOOKING  
WESTERLY  
DATE  
SEPT 1969  
SCALE  
a = 1500'



**HEINRICHS  
GEOEXPLORATION COMPANY**

<b>AUSTRALIA</b> (SYDNEY) 39 Hume Street Crows Nest, NSW Phone: 439-1793	<b>U.S.A.</b> Post Office Box 5671 Tucson, Arizona 85703 Phone: (602) 623-0578 Cable: GEOEX, Tucson
--	---