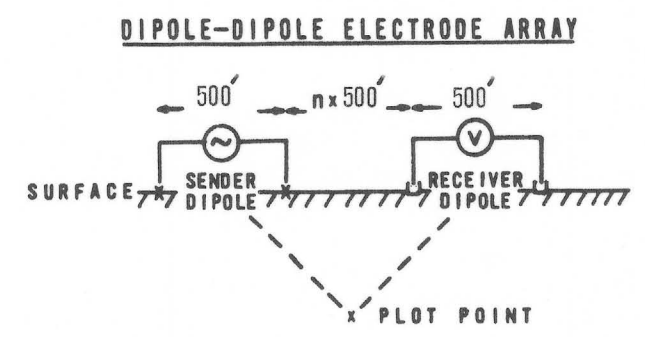
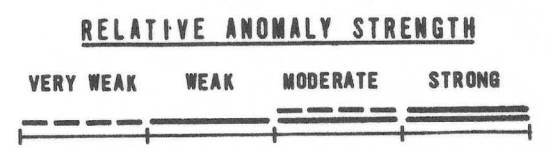


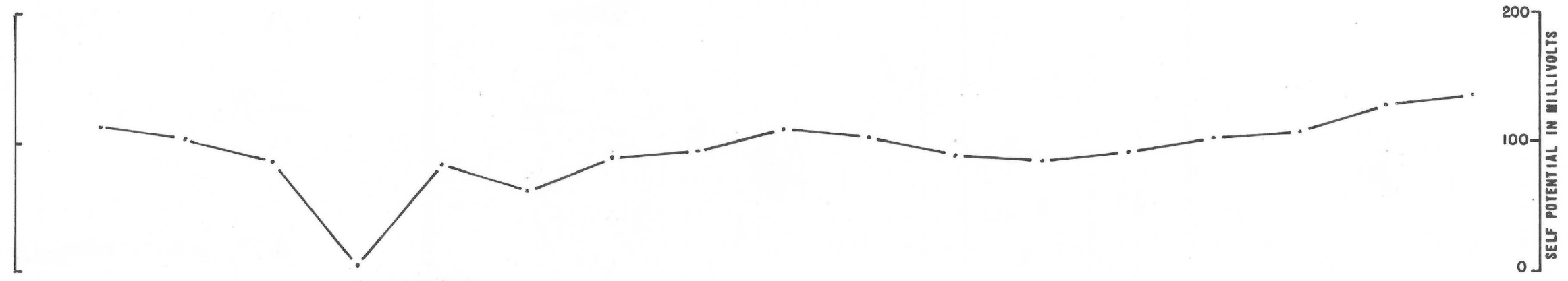
1158-77

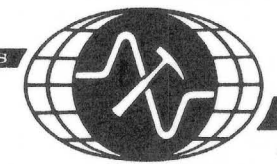
INDUCED POLARIZATION TRAVERSE  
SECTIONAL DATA SHEET  
of  
AZCO PROJECT  
for  
NORTH AMERICAN MINING AND MINERAL CORPORATION

LINE NO.  
2  
SPREAD(S)  
1  
BEARING  
N/S



DATE  
MARCH 1977



HEINRICHS  GEOEXPLORATION COMPANY

806 W. GRANT ROAD, POST OFFICE BOX 5964, TUCSON, ARIZ., 85703, PHONE: (602)623-0578