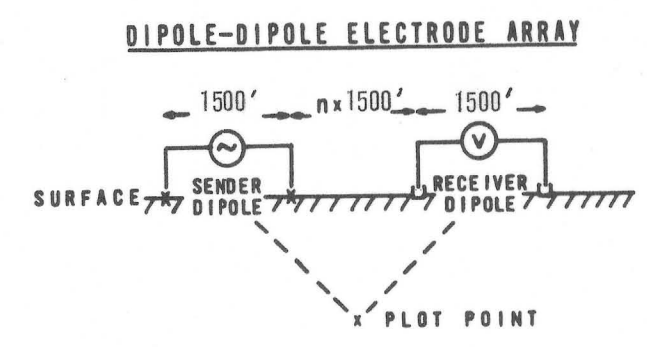
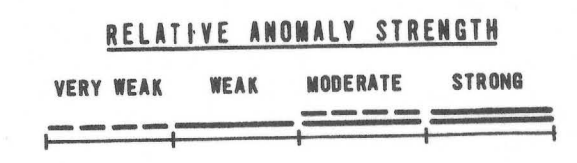


1158-77

LINE NO.
3
SPREAD(S)
1
BEARING
E/W

**INDUCED POLARIZATION TRAVERSE
SECTIONAL DATA SHEET**
of
AZCO PROJECT
for
NORTH AMERICAN MINING AND MINERAL CORPORATION



DATE
MARCH 1977

HEINRICHS GEOEXPLORATION COMPANY

806 W. GRANT ROAD, POST OFFICE BOX 5964, TUCSON, ARIZ., 85703, PHONE: (602)623-0578