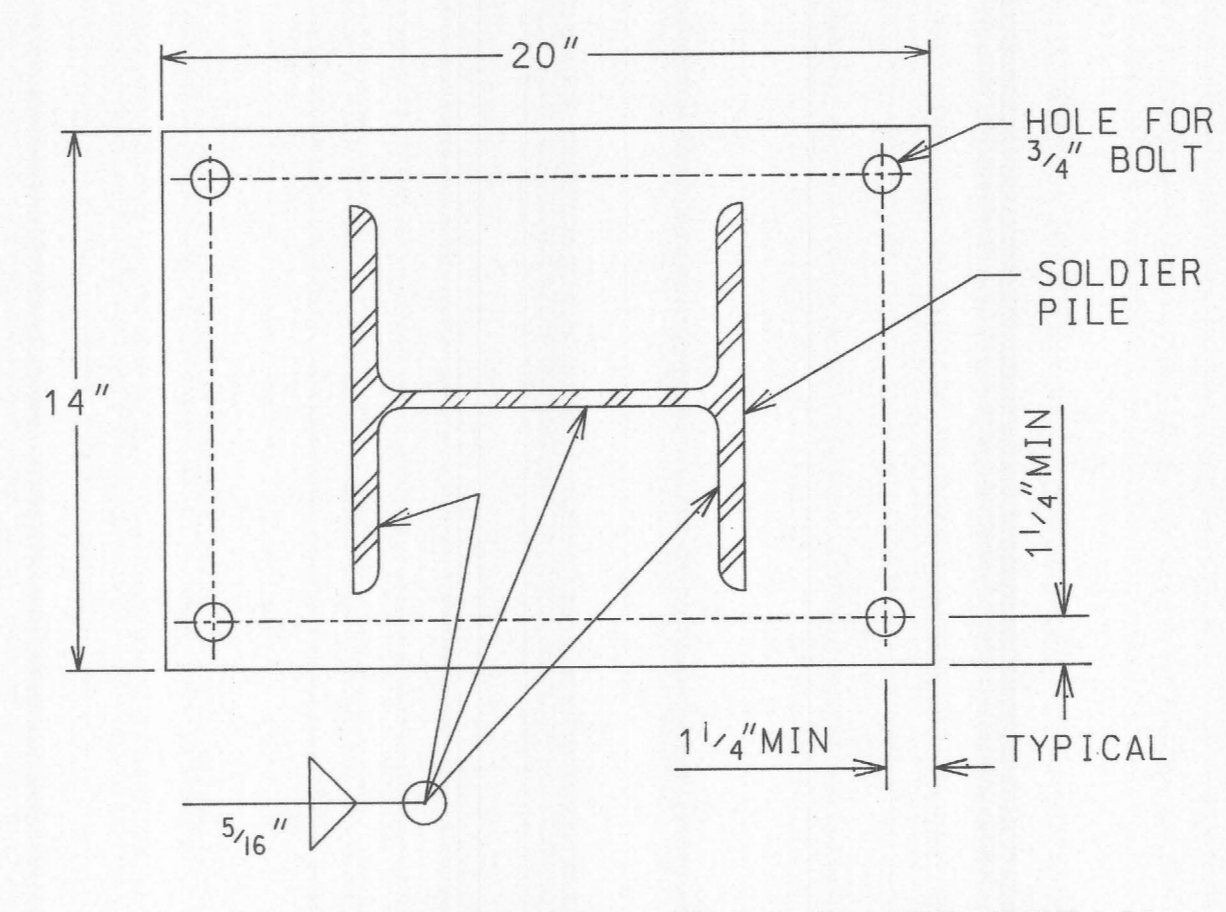
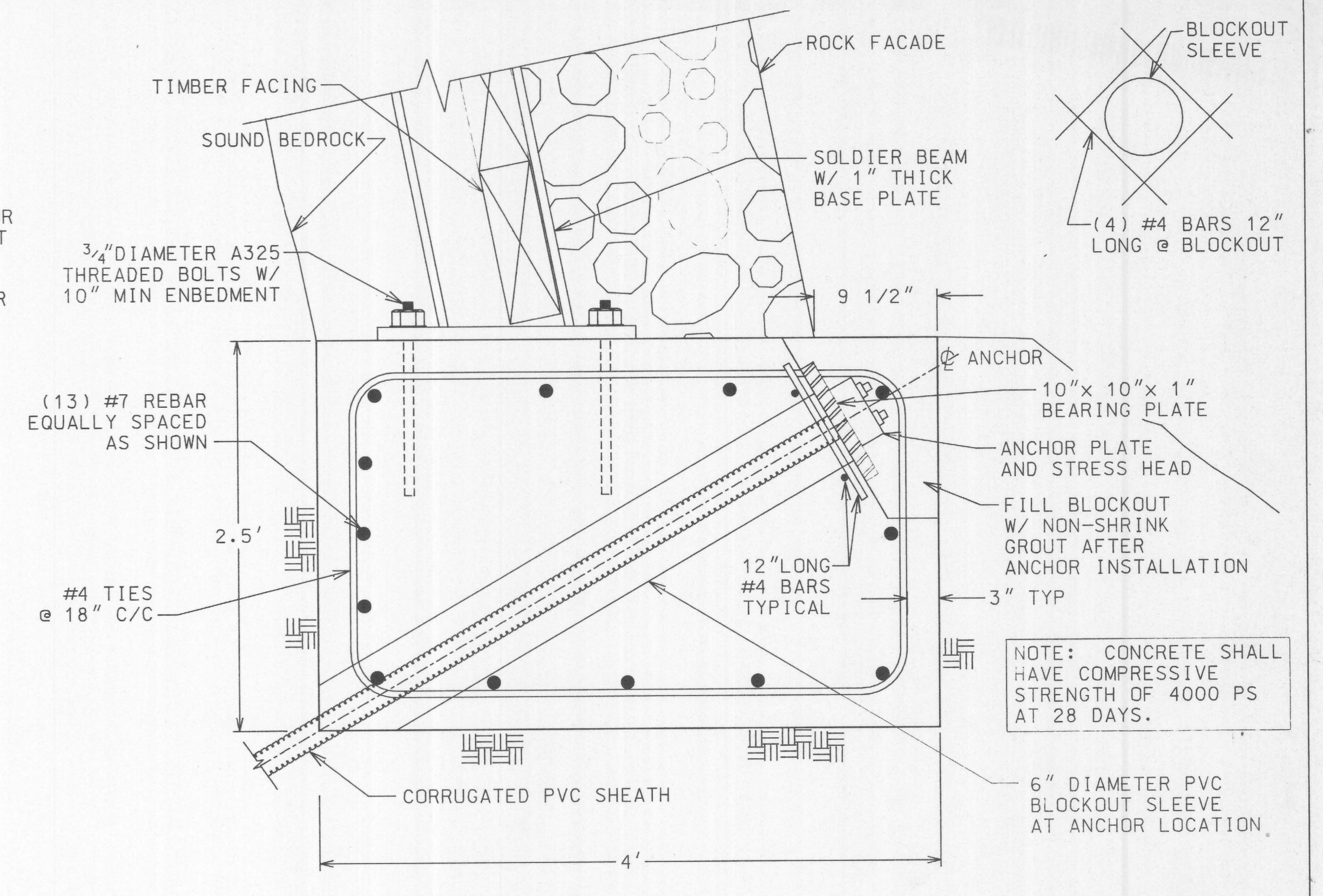


TIMBER WALL FACING DETAIL  
NO SCALE

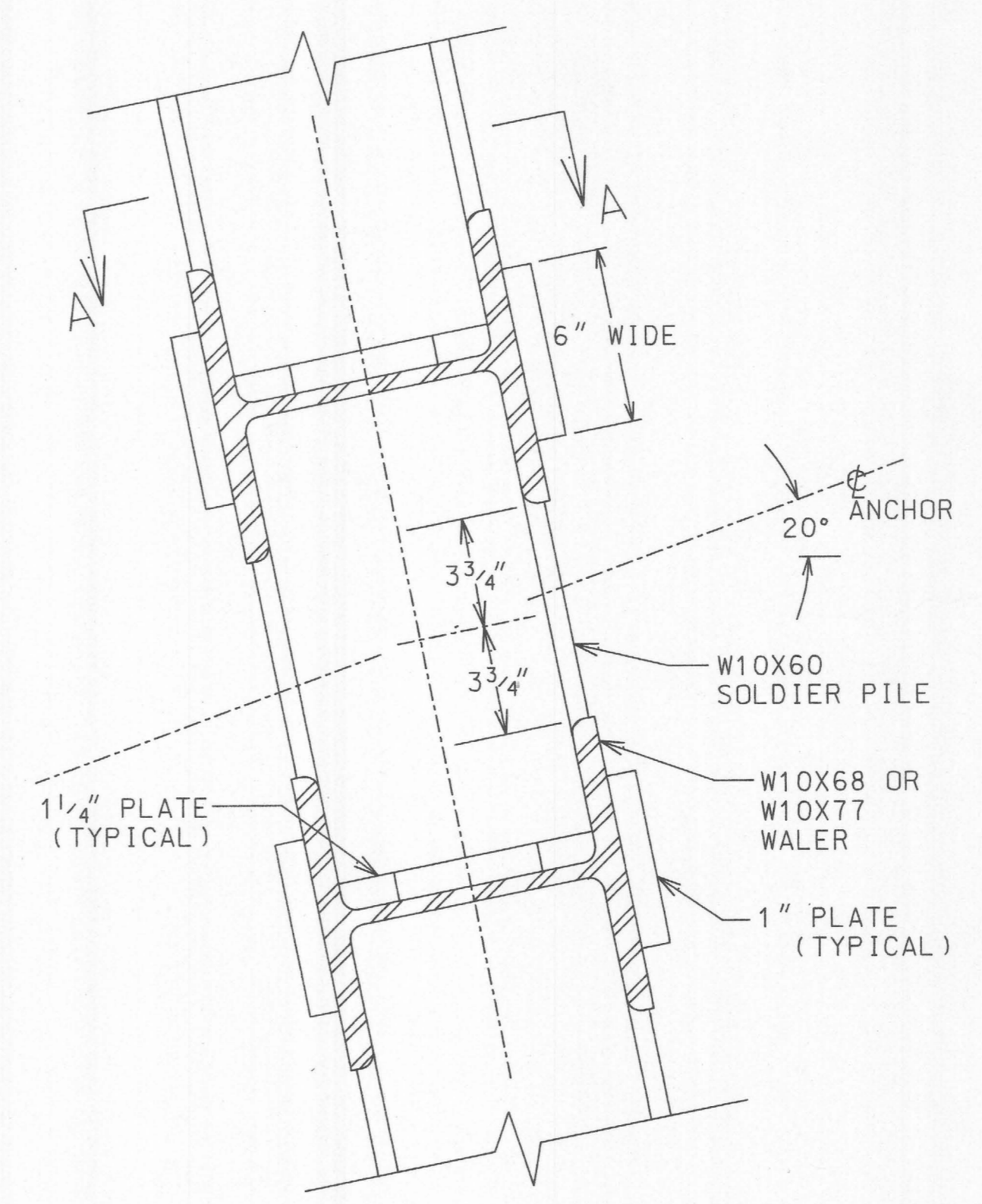
TYPICAL WALL SECTION  
NO SCALE



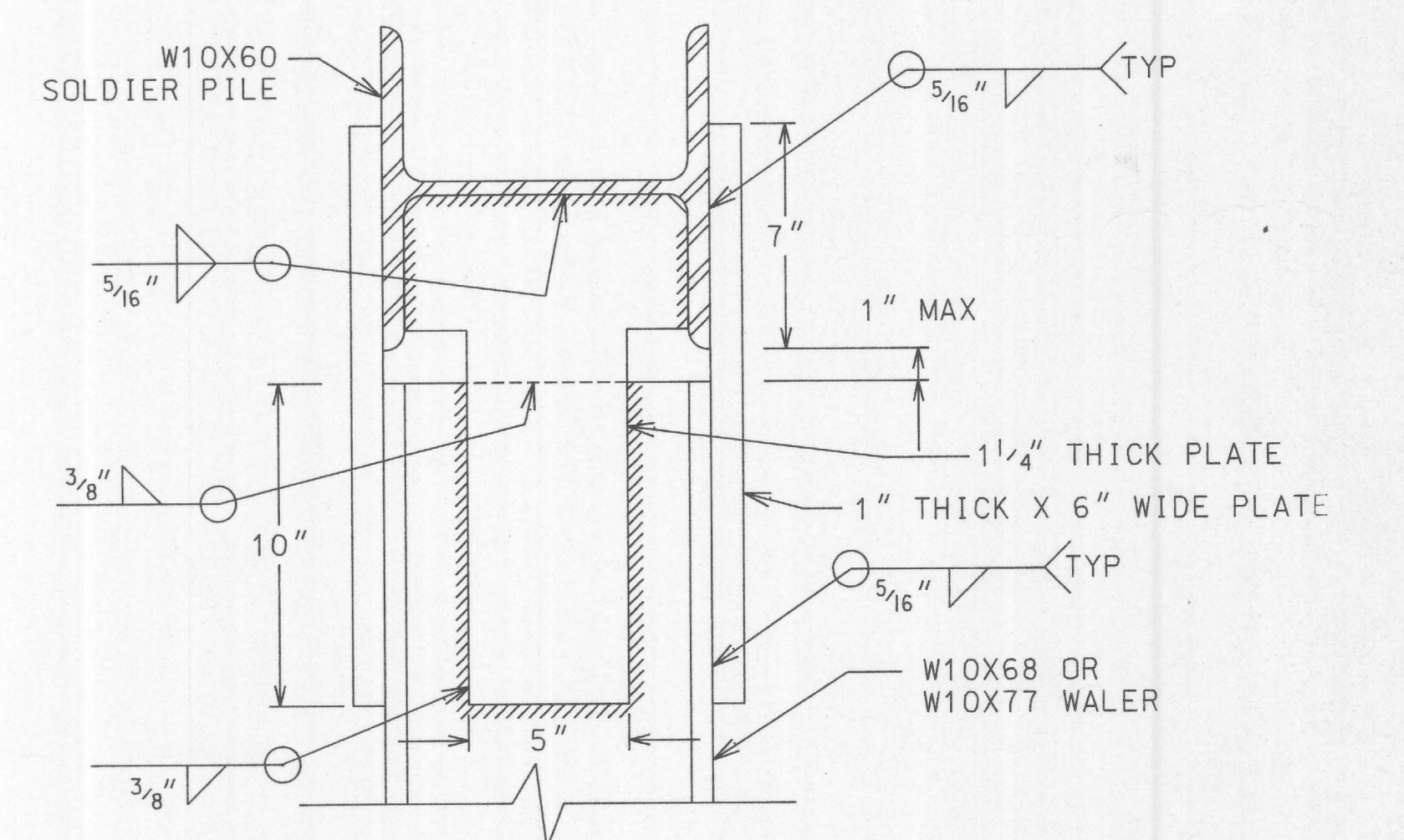
SOLDIER PILE BASE PLATE DETAIL  
SCALE 1" = 5"



FOOTING DETAIL  
NO SCALE



WALER TO PILE CONNECTION DETAIL  
SCALE 1" = 5"



SECTION A-A

SHOP DRAWING

DATE 5/19/93  
SCALE: AS SHOWN  
FILE: jerome.dgn  
DWN. BY: PLA CHK'D: PBG  
NC L9407-02



**NICHOLSON CONSTRUCTION**  
THIS DRAWING IS THE EXCLUSIVE PROPERTY OF NICHOLSON CONSTRUCTION AND THE INFORMATION AND DETAILS SHOWN MAY NOT BE USED NOR THE DRAWINGS REPRODUCED WITHOUT THE WRITTEN PERMISSION OF NICHOLSON CONSTRUCTION.

WALL SECTION AND DETAILS				
JEROME FLOOD DAMAGE ANCHORED WALL REPAIR				
U.S. HIGHWAY 89A				
JEROME, ARIZONA				
OWNER: ARIZONA DEPARTMENT OF TRANSPORTATION				
GEN'L CONTRACTOR: NICHOLSON CONSTRUCTION PACIFIC, INC				
NO.	DATE	CHK'D	REVISION	