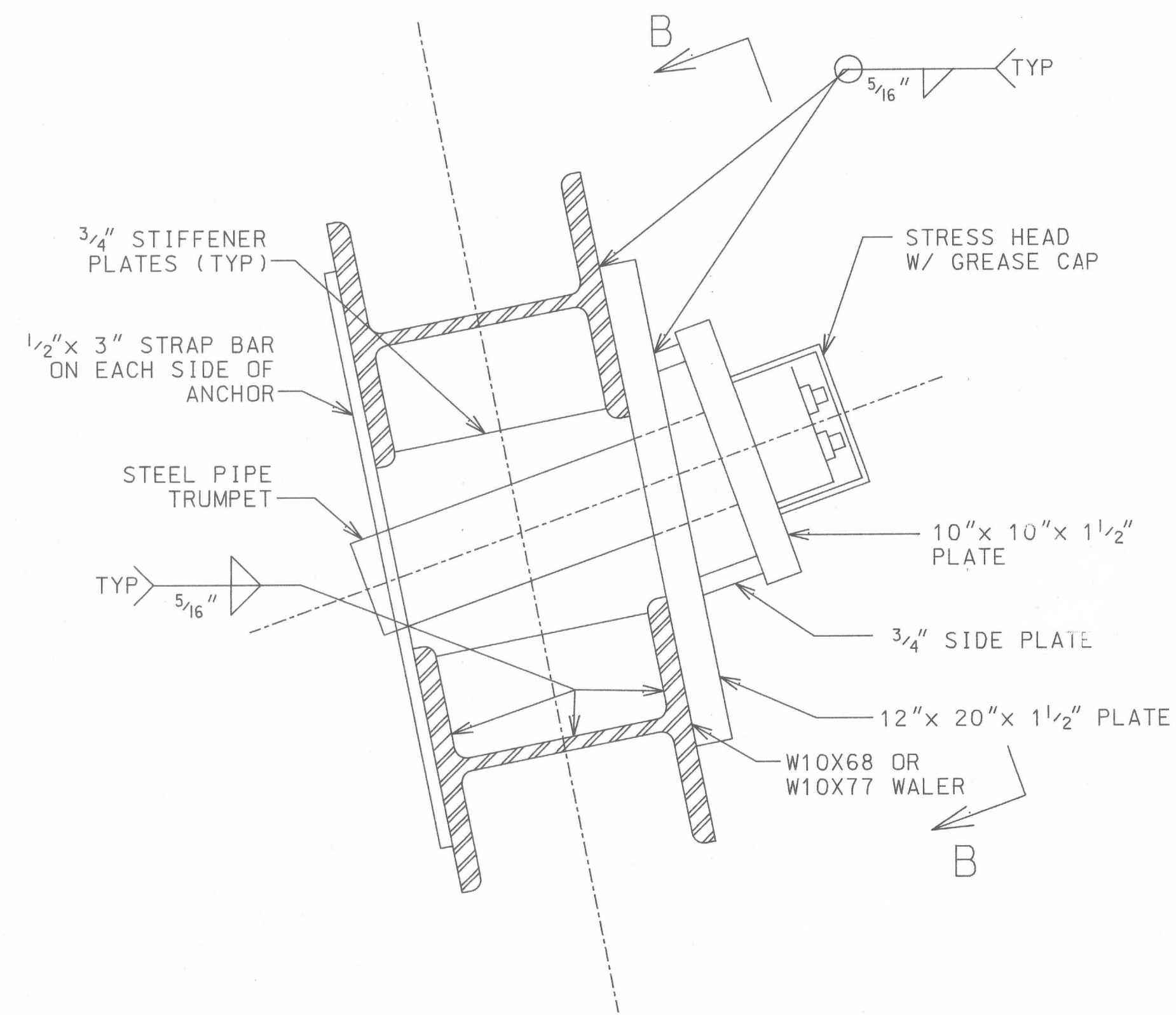
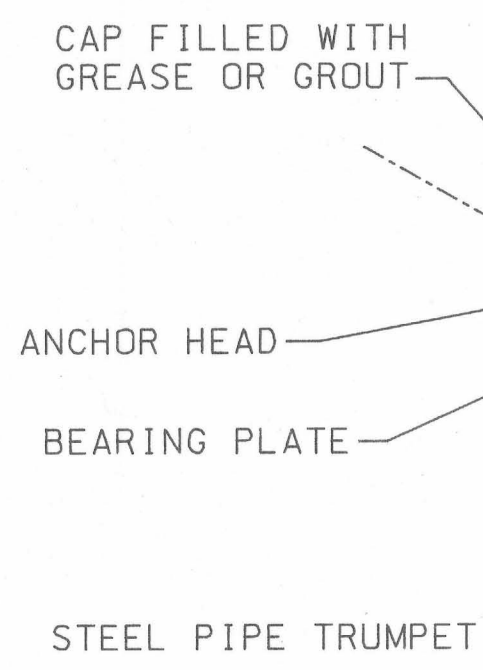


SECTION B-B



ANCHOR TO WALER CONNECTIN DETAIL  
NO SCALE



ANCHOR TENDON DETAIL  
N.T.S.

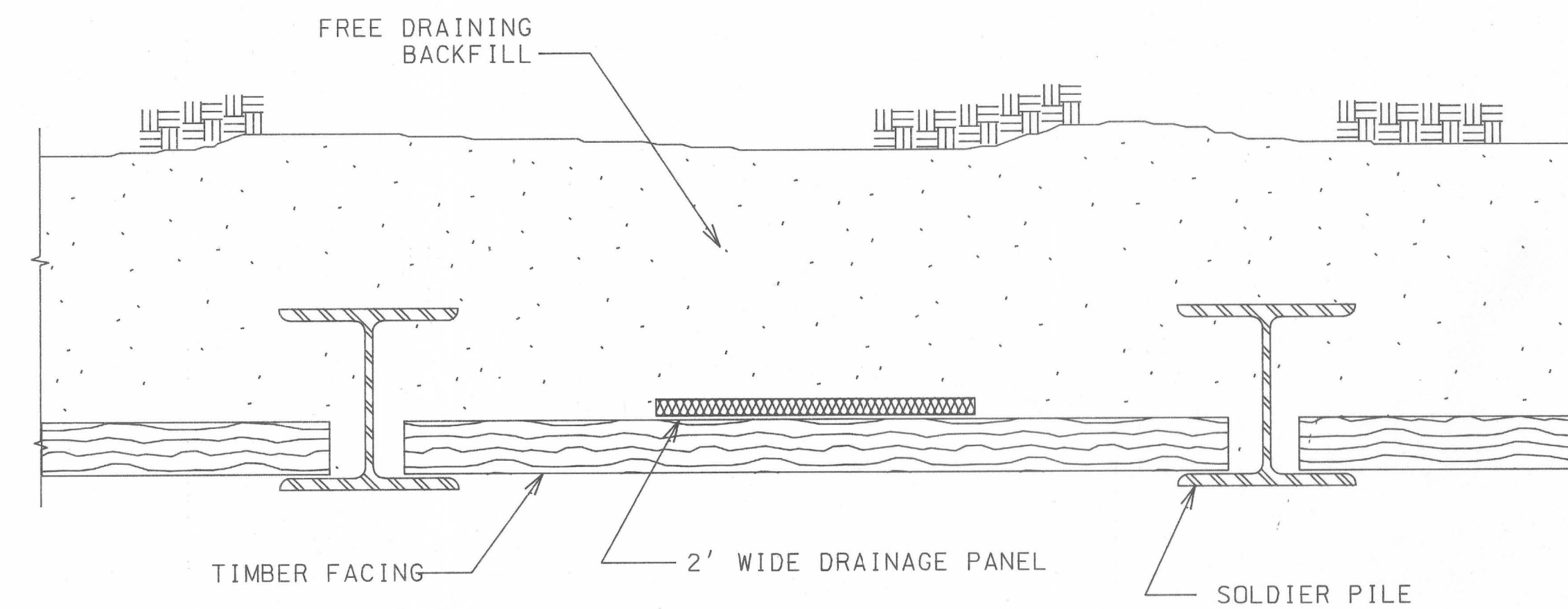
FILL ANCHOR SHAFT  
WITH 3000 PSI NEAT  
CEMENT GROUT

0.6" DIA 270 KSI  
STEEL STRANDS (TYP)

TENDON CORROSION PROTECTION

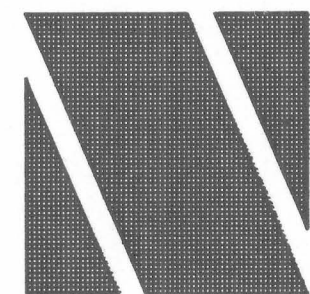
FOR UNBONDED LENGTH: STRAND ENCAPSULATED WITH CORROSION INHIBITING GREASE AND SMOOTH POLYETHYLENE TUBING. ALL GROUTED INTO A CORRUGATED PVC SHEATH.

FOR BONDED LENGTH: BARE STRAND GROUTED INTO A CORRUGATED PVC SHEATH.



DRAINAGE DETAIL  
NO SCALE

SHOP DRAWING



NICHOLSON CONSTRUCTION

THIS DRAWING IS THE EXCLUSIVE PROPERTY OF NICHOLSON CONSTRUCTION AND THE INFORMATION AND DETAILS SHOWN MAY NOT BE USED NOR THE DRAWINGS REPRODUCED WITHOUT THE WRITTEN PERMISSION OF NICHOLSON CONSTRUCTION.

ANCHOR, TIMBER FACING & DRAINAGE DETAILS  
JEROME FLOOD DAMAGE ANCHORED WALL REPAIR

U.S. HIGHWAY 89A  
JEROME, ARIZONA

OWNER: ARIZONA DEPARTMENT OF TRANSPORTATION

GEN'L CONTRACTOR: NICHOLSON CONSTRUCTION PACIFIC, INC

NO.	DATE	CHK'D	REVISION



DATE 5/19/93

SCALE: AS SHOWN

FILE: jerome.dgn

DNW. BY: PLA CHK'D: PBG

NC L9407-03