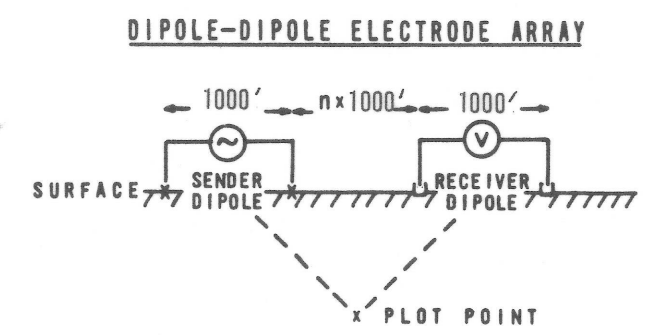
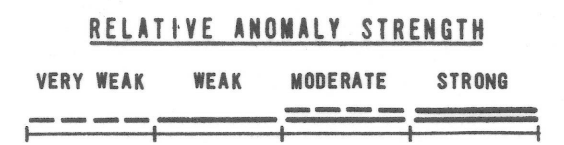


1053-75

INDUCED POLARIZATION TRAVERSE
SECTIONAL DATA SHEET
of
MAMMOTH WASH AREA
PIMA COUNTY, ARIZONA
for
TEXASGULF WESTERN, INC.

LINE NO. 74E
SPREAD(S) 1
BEARING N 24° E



DATE
OCTOBER 1975

NOTE: (8) = WINDOW 4 CHARGEABILITY (INTEGRATION FROM 1.4 TO 1.7 SECONDS NORMALIZED TO M₃₃₁)

HEINRICHS GEOEXPLORATION COMPANY

806 W. GRANT ROAD, POST OFFICE BOX 5964, TUCSON, ARIZ., 85703, PHONE: (602)623-0578