

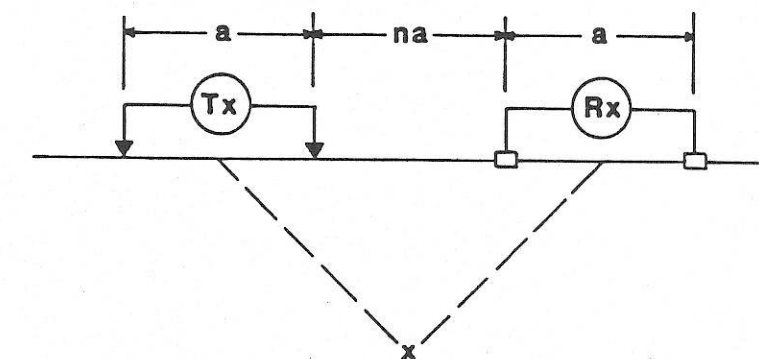
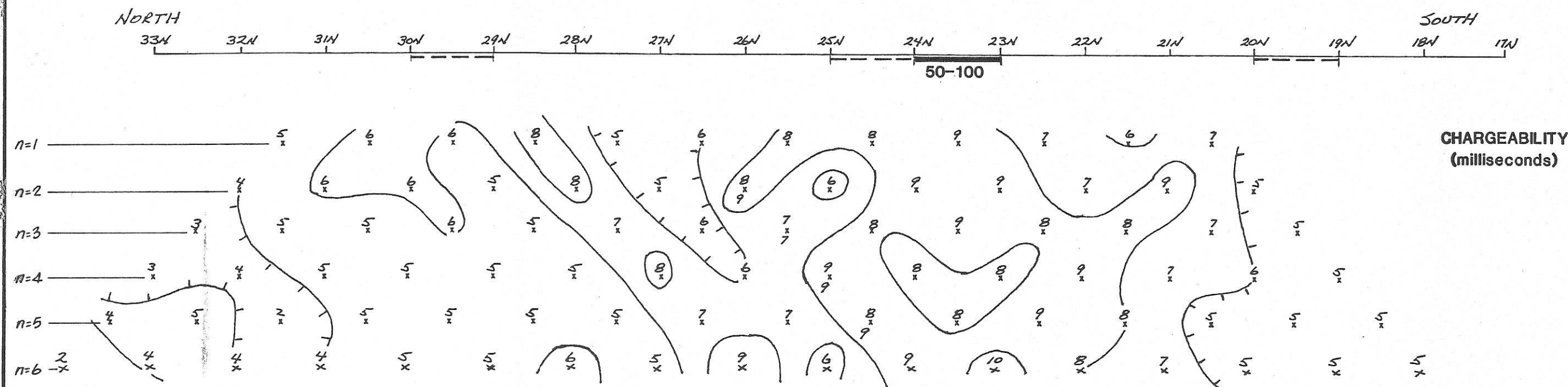
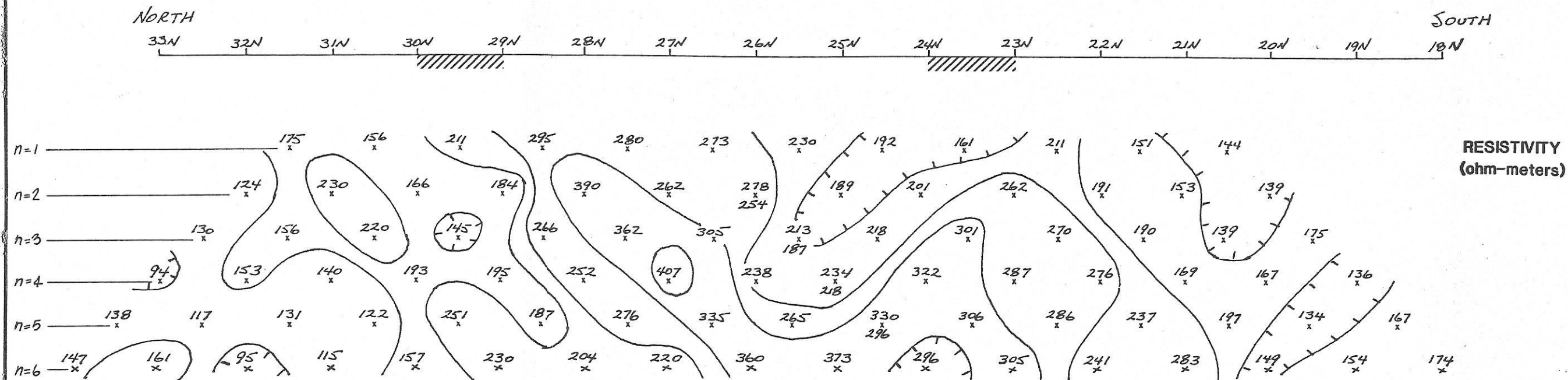
A. F. BUDGE (MINING) LIMITED

VULTURE MINE PROJECT

Maricopa County, Arizona

INDUCED POLARIZATION SURVEY

LINE 7
BEARING N 20° W



DIPOLE SPACING: 100 feet

MODE: time domain

DATE: May 9, 1989

CONSULTANT: Joseph R. Anzman

Tx = transmitter

Rx = receiver

a = dipole spacing

n = 1, 2, 3, 4, 5, 6

CONTOURS

Resistivity: 100, 150, 200, 250, 300, 400, 500, 600

Chargeability: 2, 4, 6, 8, 10, 12, 14