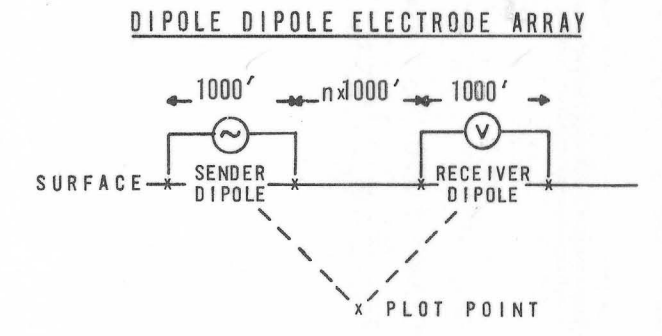
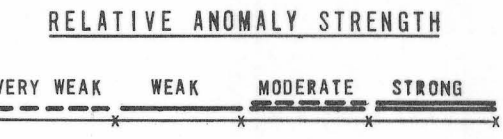


INDUCED POLARIZATION TRAVERSE  
SECTIONAL DATA SHEET  
for

MR. RUSSELL BADGETT, JR.



AREA  
PAISANO WASH  
LOOKING  
NORTH  
DATE  
NOV 1971  
SCALE

**HEINRICHS  
GEOEXPLORATION COMPANY**

**AUSTRALIA**  
(SYDNEY)  
39 Hume Street  
Crows Nest, NSW  
Phone: 439-1793

**U.S.A.**  
Post Office Box 5964  
Tucson, Arizona 85703  
Phone: (602) 623-0578  
Cable: GEOEX, Tucson

