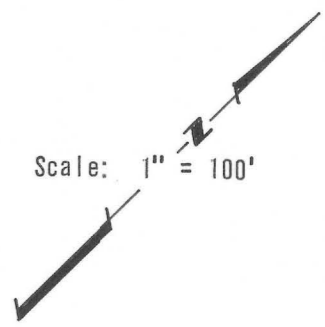


METALLIC CONDUCTION FACTOR CONTOUR PLAN  
 INDUCED POLARIZATION GRADIENT ARRAY  
 of  
 SLATE CREEK AREA  
 YAVAPAI COUNTY, ARIZONA  
 for  
 KALIUM CHEMICALS LIMITED  
 by  
 HEINRICHS GEOEXPLORATION COMPANY  
 Job number 830-73 June 1973

T 12 N, R 2 W  
 Unsurveyed Township (no land net control)  
 Grid by Kalium Chemicals Limited



Contour interval: Logarithmic  
 Voltage dipole length: 100'

