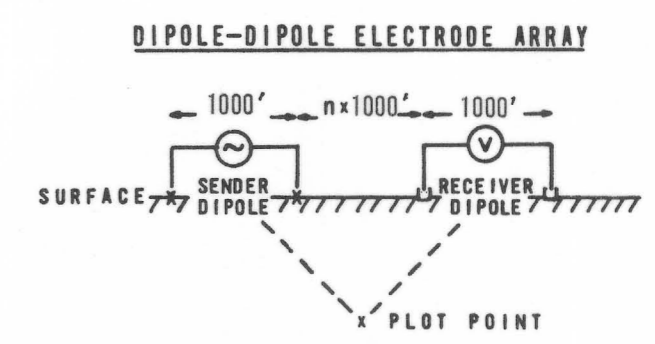
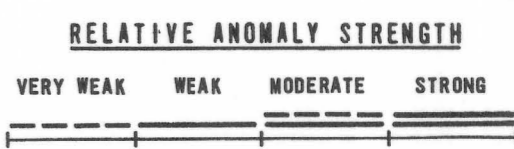


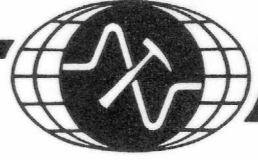
877-73

INDUCED POLARIZATION TRAVERSE SECTIONAL DATA SHEET
 of
GOLD BELL MINE AREA
 PINAL COUNTY, ARIZONA
 for
NORTH AMERICAN MINES

LINE NO. 3
 SPREAD(S) 1
 BEARING EAST-WEST



DATE
 OCTOBER 1973

HEINRICHS  **GEOEXPLORATION COMPANY**

806 W. GRANT ROAD, POST OFFICE BOX 5964, TUCSON, ARIZ., 85703, PHONE: (602)623-0578