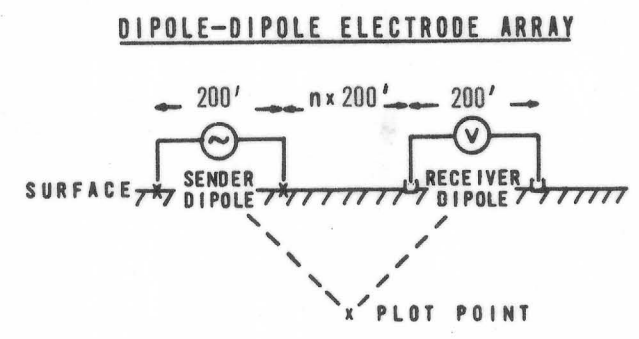
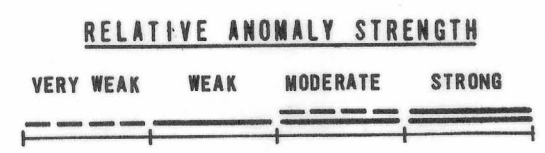


1026-75

INDUCED POLARIZATION TRAVERSE
SECTIONAL DATA SHEET
of
THE BELL AREA
YAVAPAI COUNTY, ARIZONA
for
THE SUPERIOR OIL COMPANY

LINE NO.
N
SPREAD(S)
1, 2 & 3
BEARING
N/S



DATE
SEPTEMBER 1975

HEINRICHS  GEOEXPLORATION COMPANY

806 W. GRANT ROAD, POST OFFICE BOX 5964, TUCSON, ARIZ., 85703, PHONE: (602) 623-0578