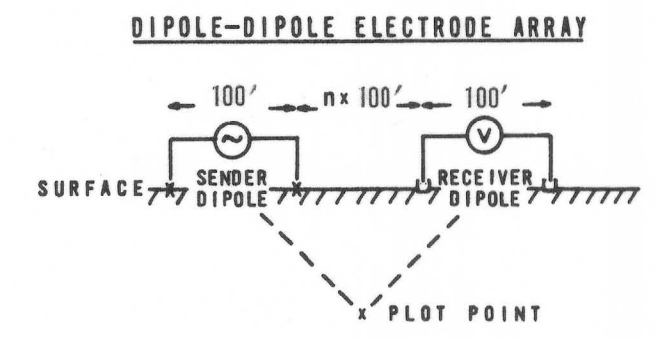
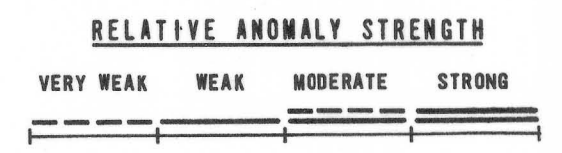


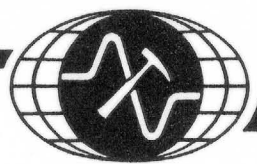
1026-75

INDUCED POLARIZATION TRAVERSE
SECTIONAL DATA SHEET
of
THE BELL AREA
YAVAPAI COUNTY, ARIZONA
for
THE SUPERIOR OIL COMPANY

LINE NO.
28S
SPREAD(S)
2
BEARING
E-W



DATE
AUGUST 1975

HEINRICHS  GEOEXPLORATION COMPANY
806 W. GRANT ROAD, POST OFFICE BOX 5964, TUCSON, ARIZ., 85703, PHONE: (602)623-0578

2/5/75