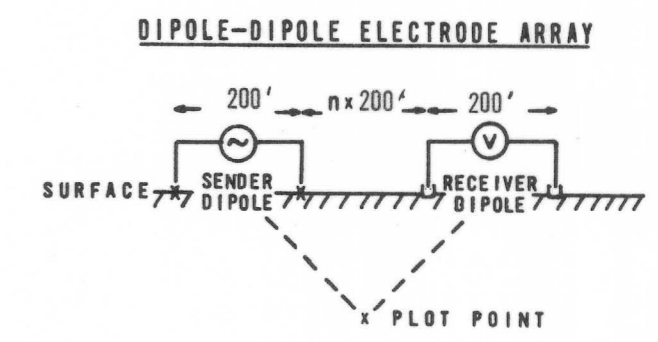
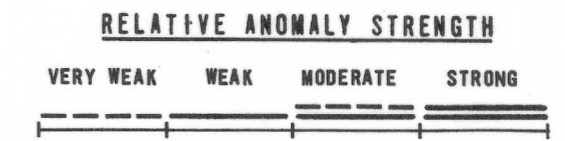



1026-75

INDUCED POLARIZATION TRAVERSE  
SECTIONAL DATA SHEET  
of  
THE BELL AREA  
YAVAPAI COUNTY, ARIZONA  
for  
THE SUPERIOR OIL COMPANY

LINE NO.  
28S  
SPREAD(S)  
1  
BEARING  
E-W



DATE  
JULY 1975

HEINRICHS  GEOEXPLORATION COMPANY

806 W. GRANT ROAD, POST OFFICE BOX 5954, TUCSON, ARIZ., 85703, PHONE: (602) 623-0578