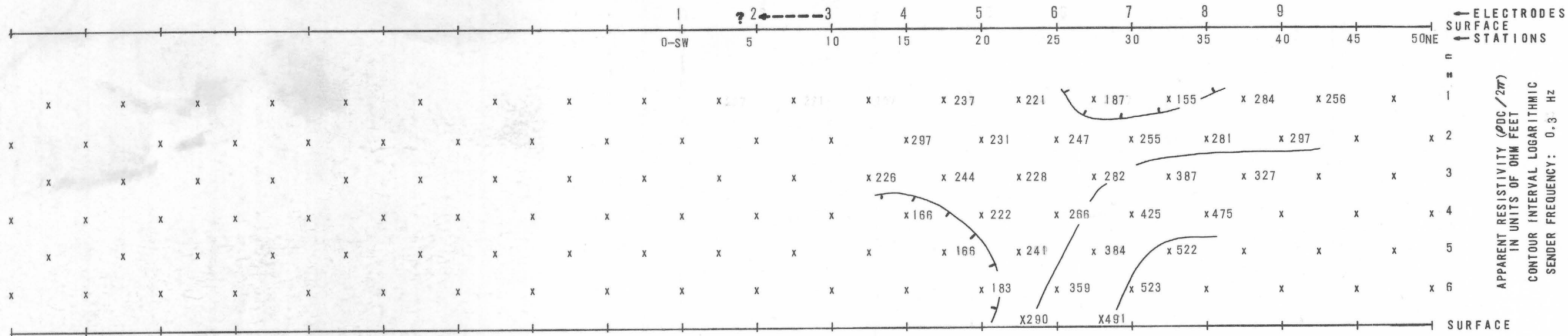
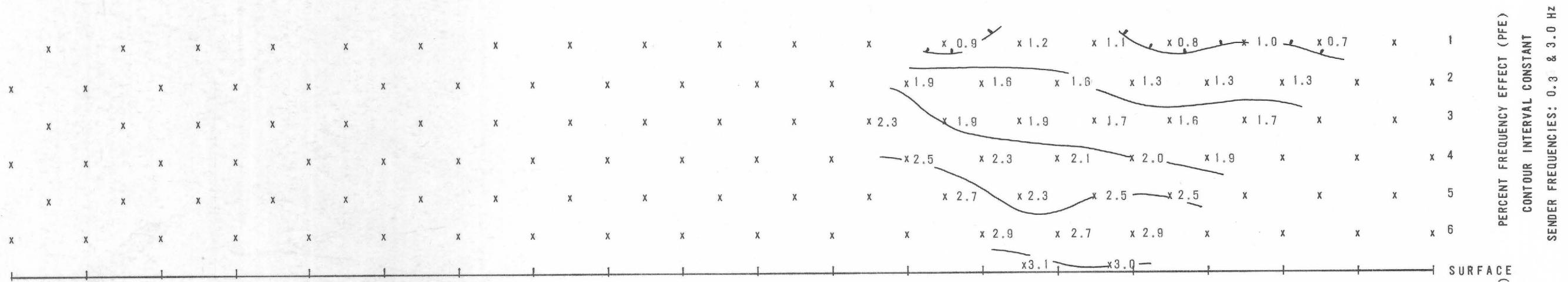


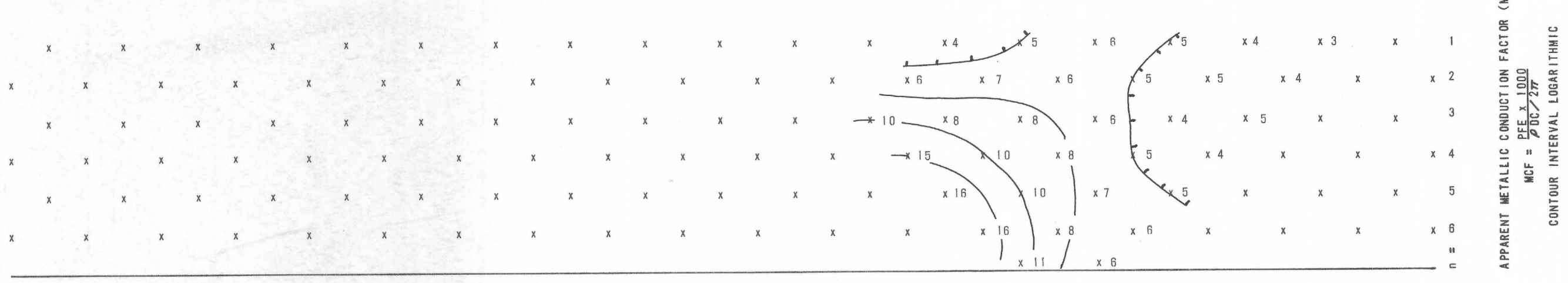
SPREAD 1



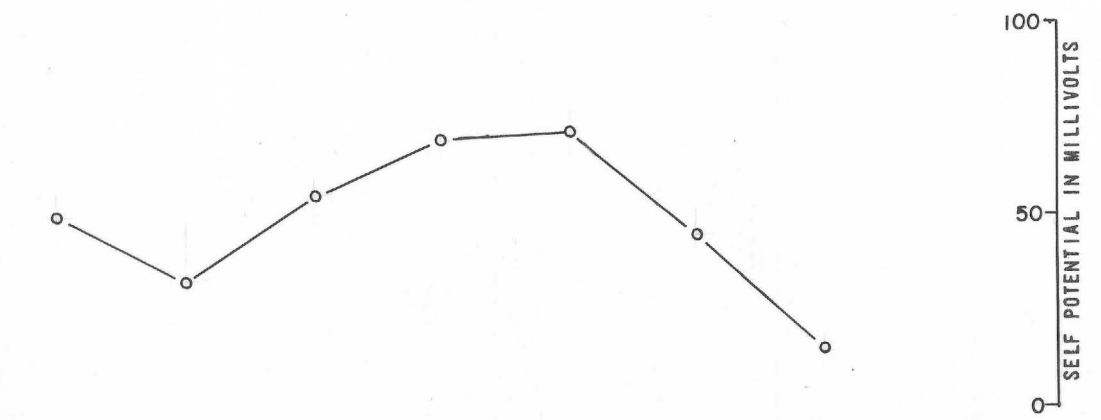
APPARENT RESISTIVITY ( $\rho_{DC}/2\pi r$ )  
IN UNITS OF OHM FEET  
CONTOUR INTERVAL LOGARITHMIC  
SENDER FREQUENCY: 0.3 Hz



PERCENT FREQUENCY EFFECT (PFE)  
CONTOUR INTERVAL CONSTANT  
SENDER FREQUENCIES: 0.3 & 3.0 Hz



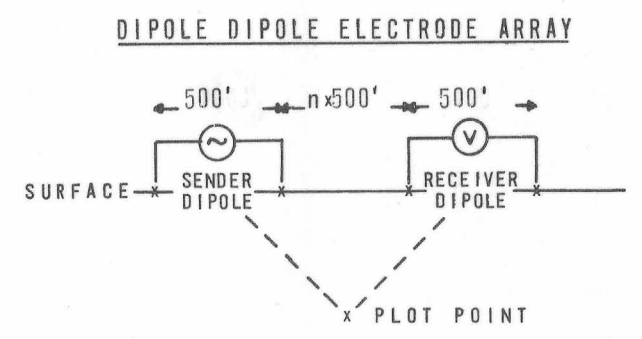
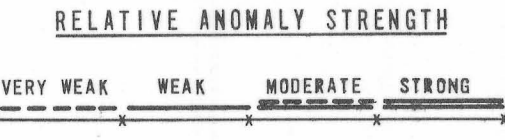
APPARENT METALLIC CONDUCTION FACTOR (MCF)  
MCF =  $\frac{PFE \times 1000}{\rho_{DC}/2\pi r}$   
CONTOUR INTERVAL LOGARITHMIC



595-70

LINE NO.  
C  
SPREAD(S)  
I

INDUCED POLARIZATION TRAVERSE  
SECTIONAL DATA SHEET  
for  
WESTATES PETROLEUM



AREA  
EMPIRE PROJECT  
LOOKING  
N 17° W  
DATE  
DEC 1970

**HEINRICHS  
GEOEXPLORATION COMPANY**

<b>AUSTRALIA</b> (SYDNEY) 39 Hume Street Crows Nest, NSW Phone: 439-1793	<b>U.S.A.</b> Post Office Box 5984 Tucson, Arizona 85703 Phone: (602) 623-0578 Cable: GEOEX, Tucson
--	---