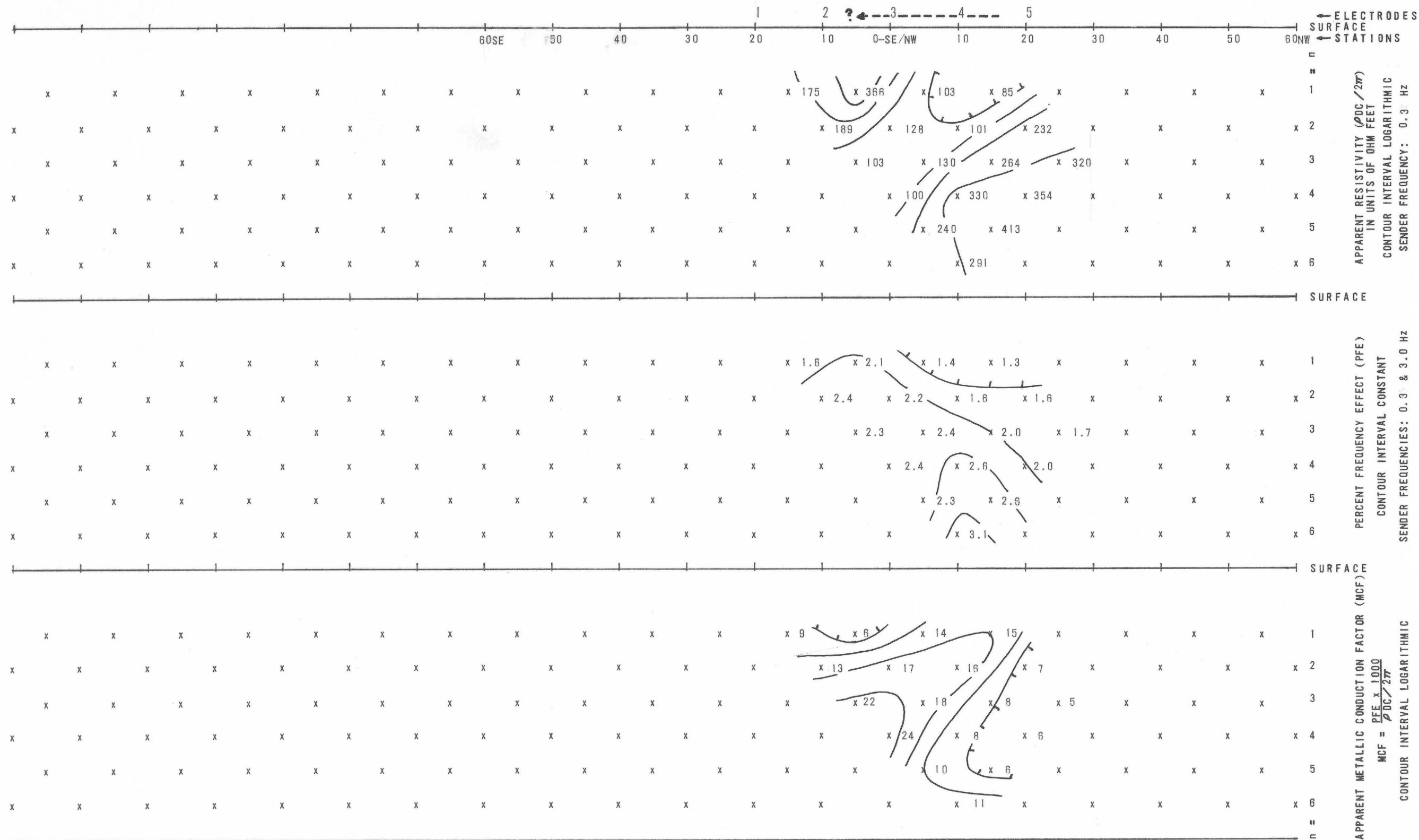


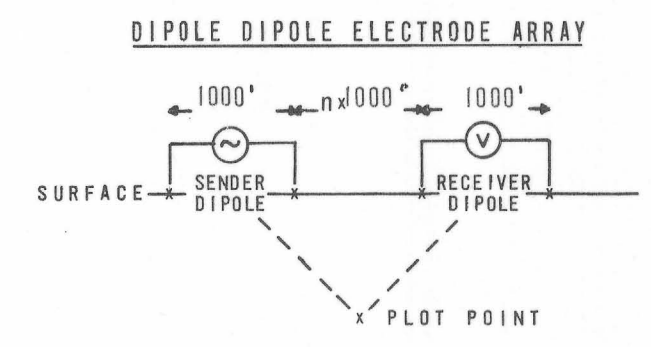
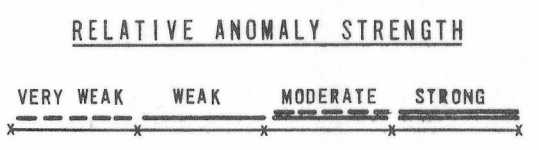
SPREAD 1



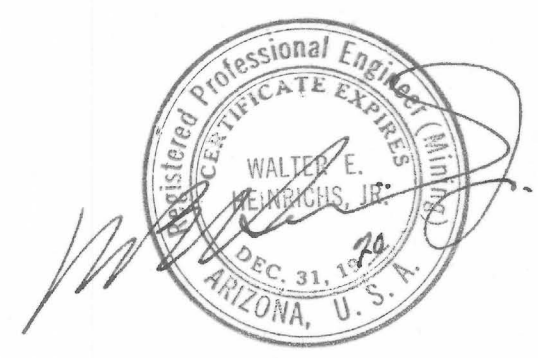
595-70

LINE NO.
D
SPREAD(S)
I

INDUCED POLARIZATION TRAVERSE
SECTIONAL DATA SHEET
for
WESTATES PETROLEUM



AREA
EMPIRE PROJECT
LOOKING
S 50° W
DATE
DEC 1970



**HEINRICHS
GEOEXPLORATION COMPANY**

AUSTRALIA
(SYDNEY)
39 Hume Street
GEO PHYSICAL
ENGINEERS

U.S.A.
Post Office Box 5964
Tucson, Arizona 85703
Phone: (602) 623-0578
Cable: GEDEX, Tucson

