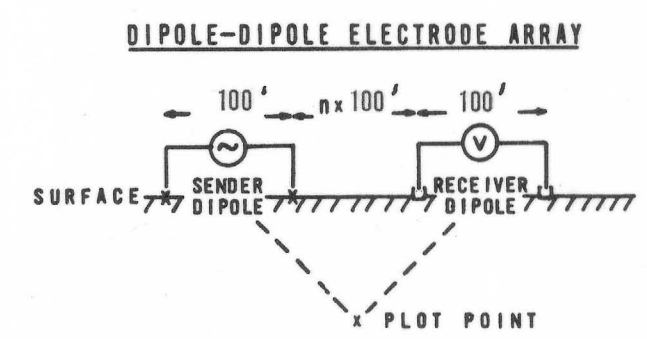
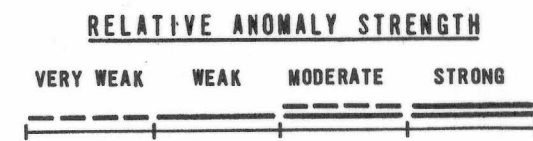


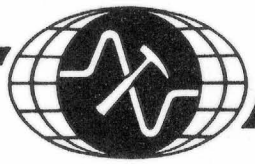
1040-75

**INDUCED POLARIZATION TRAVERSE SECTIONAL DATA SHEET**  
of  
**PENNYRICH AREA**  
YAVAPAI COUNTY, ARIZONA  
for  
**AMERICAN SELCO, INC.**

LINE NO. 3N  
SPREAD(S) 1  
BEARING N 80° W



DATE  
SEPTEMBER 1975

**HEINRICHS**  **GEOEXPLORATION COMPANY**

806 W. GRANT ROAD, POST OFFICE BOX 5964, TUCSON, ARIZ., 85703, PHONE: (602)623-0578