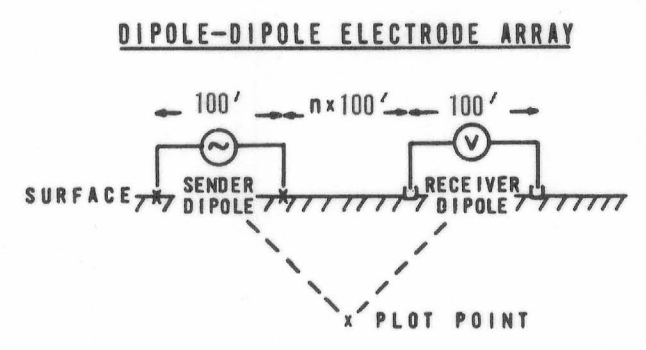
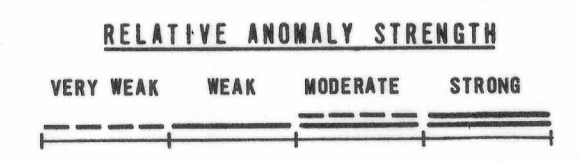


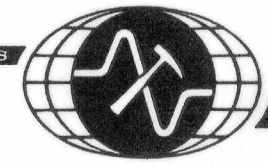
1040-75

INDUCED POLARIZATION TRAVERSE SECTIONAL DATA SHEET
 of
PENNYRICH AREA
YAVAPAI COUNTY, ARIZONA
 for
AMERICAN SELCO, INC.

LINE NO. 3S
 SPREAD(S) 1
 BEARING N 80° W



DATE
 SEPTEMBER 1975

HEINRICHS  **GEOEXPLORATION COMPANY**

806 W. GRANT ROAD, POST OFFICE BOX 5964, TUCSON, ARIZ., 85703, PHONE: (602)623-0578