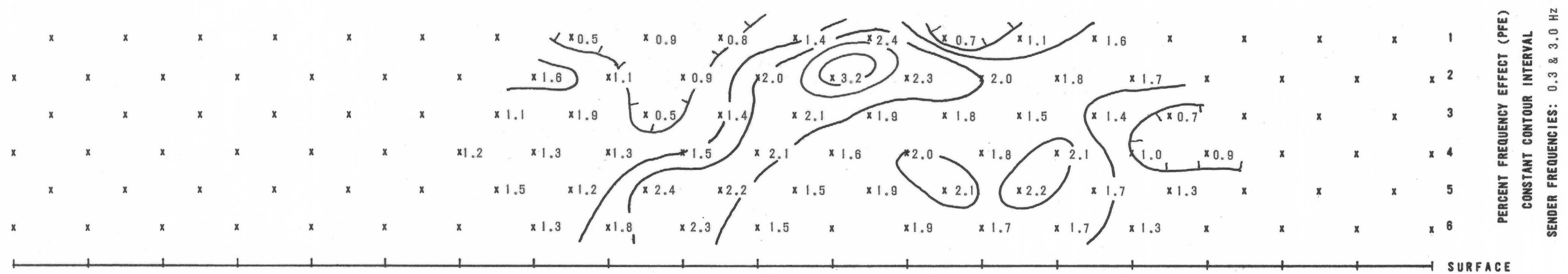
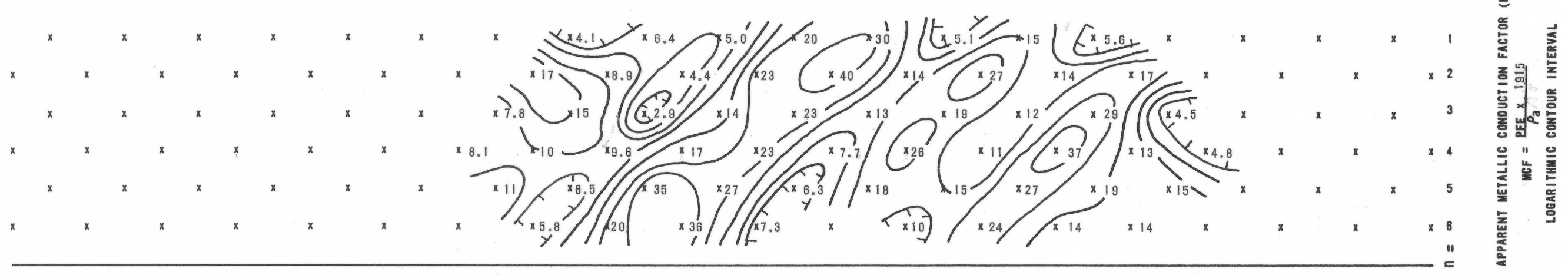


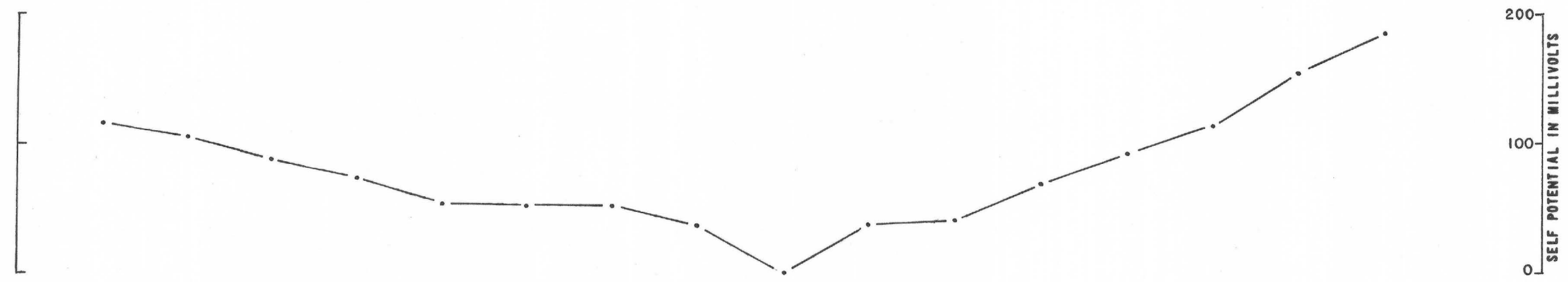
ELECTRODES SURFACE STATIONS
 APPARENT RESISTIVITY (ρ_a) IN UNITS OF OHM METERS
 LOGARITHMIC CONTOUR INTERVAL
 SENDER FREQUENCY: 3.0 HZ



PERCENT FREQUENCY EFFECT (PFE) CONSTANT CONTOUR INTERVAL
 SENDER FREQUENCIES: 0.3 & 3.0 HZ



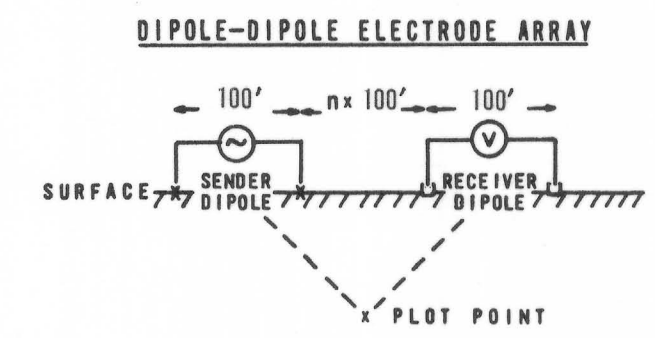
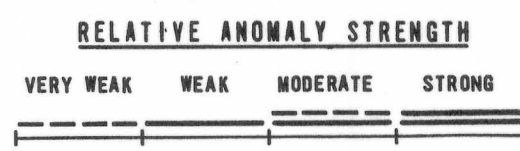
APPARENT METALLIC CONDUCTION FACTOR (MCF)
 $MCF = \frac{PFE \times \rho_a}{1815}$
 LOGARITHMIC CONTOUR INTERVAL



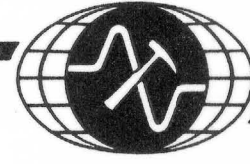
1040-75

INDUCED POLARIZATION TRAVERSE SECTIONAL DATA SHEET
 of
 PENNYRICH AREA
 YAVAPAI COUNTY, ARIZONA
 for
 AMERICAN SELCO, INC.

LINE NO. 6S
 SPREAD(S) 1
 BEARING N 80° W



DATE
 SEPTEMBER 1975

HEINRICHS  GEOEXPLORATION COMPANY
 806 W. GRANT ROAD, POST OFFICE BOX 5964, TUCSON, ARIZ., 85703, PHONE: (602)623-0578