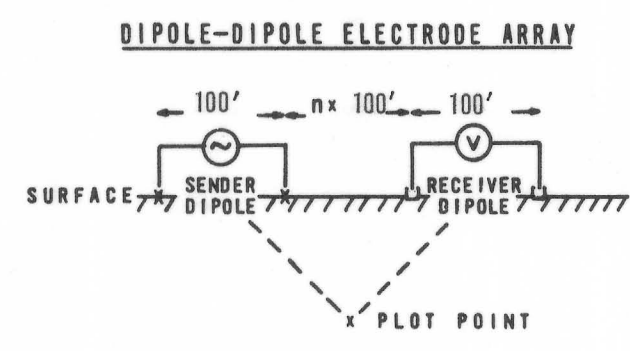
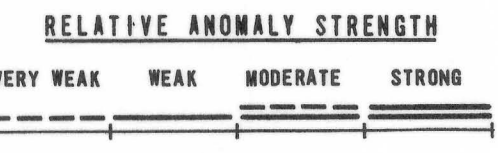


1040-75

**INDUCED POLARIZATION TRAVERSE SECTIONAL DATA SHEET**  
 of  
**BINGHAMPTON AREA**  
**YAVAPAI COUNTY, ARIZONA**  
 for  
**AMERICAN SELCO, INC.**

LINE NO.  
 28N  
 SPREAD(S)  
 1, 2 & 3  
 BEARING  
 N 80° W



DATE  
 AUGUST 1975

**HEINRICHS** **GEOEXPLORATION COMPANY**

806 W. GRANT ROAD, POST OFFICE BOX 5964, TUCSON, ARIZ., 85703, PHONE: (602)623-0578