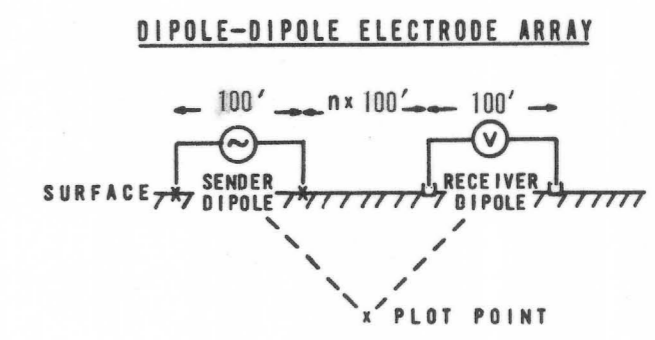
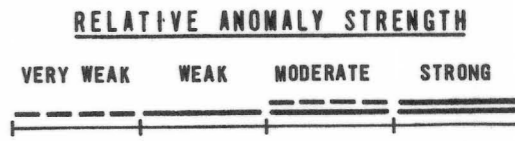


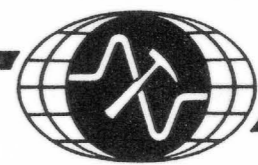
1040-75

INDUCED POLARIZATION TRAVERSE
SECTIONAL DATA SHEET
of
BINGHAMPTON AREA
YAVAPAI COUNTY, ARIZONA
for
AMERICAN SELCO, INC.

LINE NO.
5N
SPREAD(S)
BEARING
E/W



DATE
AUGUST 1975

HEINRICHS  GEOEXPLORATION COMPANY

806 W. GRANT ROAD, POST OFFICE BOX 5964, TUCSON, ARIZ., 85703, PHONE: (602)623-0578