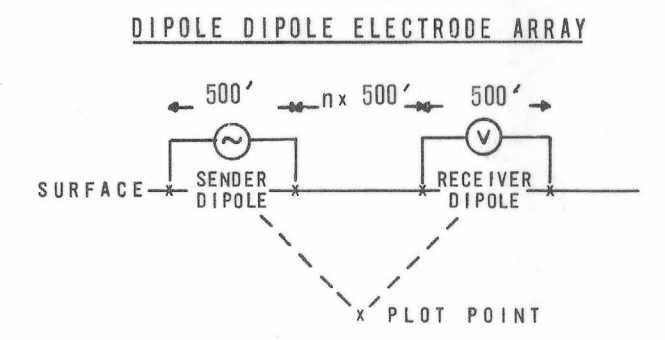
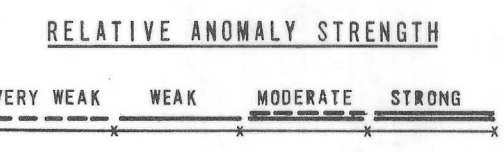


INDUCED POLARIZATION TRVERSE
SECTIONAL DATA SHEET
for
PLATA VISTA MINING COMPANY



AREA
PLATA VISTA PROJECT
LOOKING
WEST
DATE
MAR 1972
SCALE

HEINRICHS
GEOEXPLORATION COMPANY

AUSTRALIA (SYDNEY) 39 Hume Street Crows Nest, NSW Phone: 439-1793	U.S.A. Post Office Box 5964 Tucson, Arizona 85703 Phone: (602) 623-0578 Cable: GEDEX, Tucson
---	--

GEOPHYSICAL ENGINEERS

