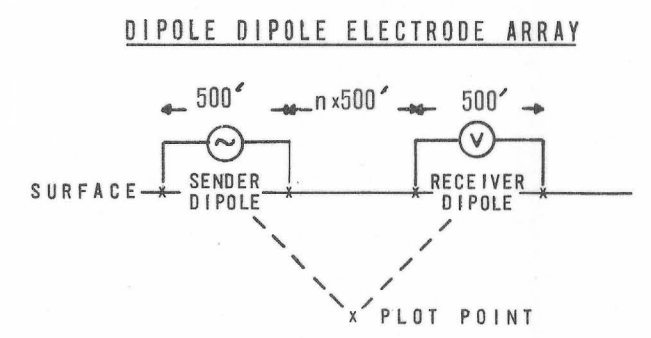
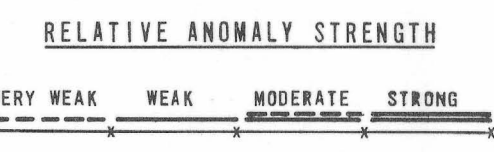


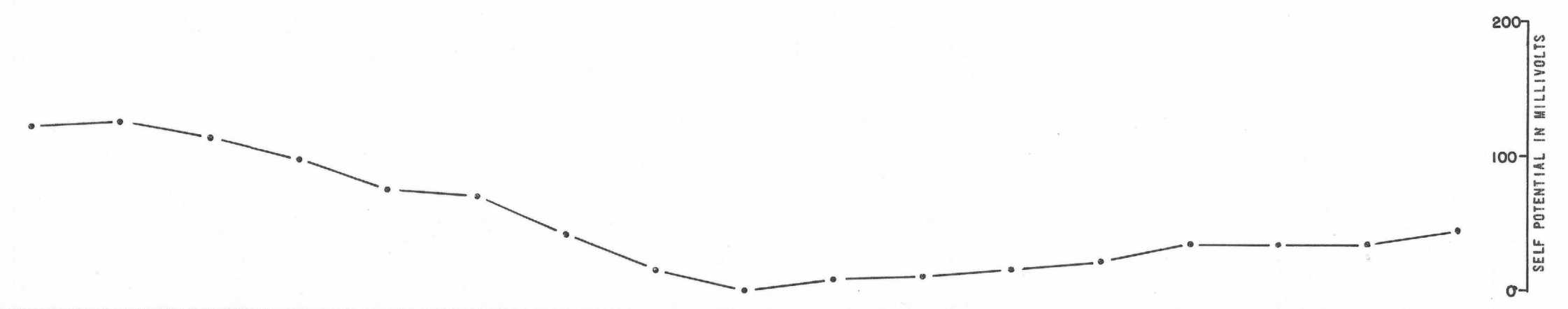
700-72

LINE NO.
3
SPREAD(S)
1

INDUCED POLARIZATION TRAVERSE
SECTIONAL DATA SHEET
for
PLATA VISTA MINING COMPANY



AREA
PLATA VISTA PROJECT
LOOKING
WEST
DATE
MAR 1972
SCALE



**HEINRICHS
GEOEXPLORATION COMPANY**
AUSTRALIA U.S.A.
(SYDNEY) 39 Hume Street Post Office Box 5984
Crows Nest, NSW Tucson, Arizona 85703 Phone: (602) 623-0578
Phone: 439-1793 Cable: GEDEX, Tucson