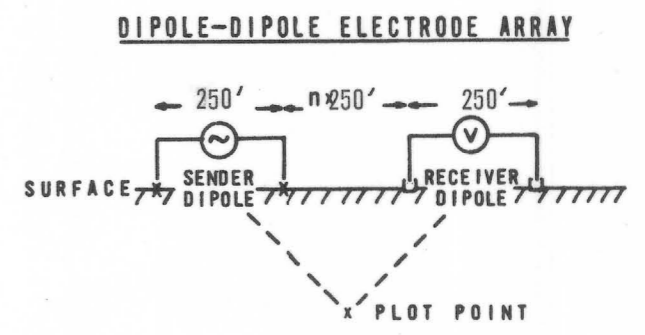
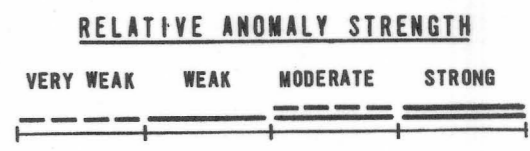


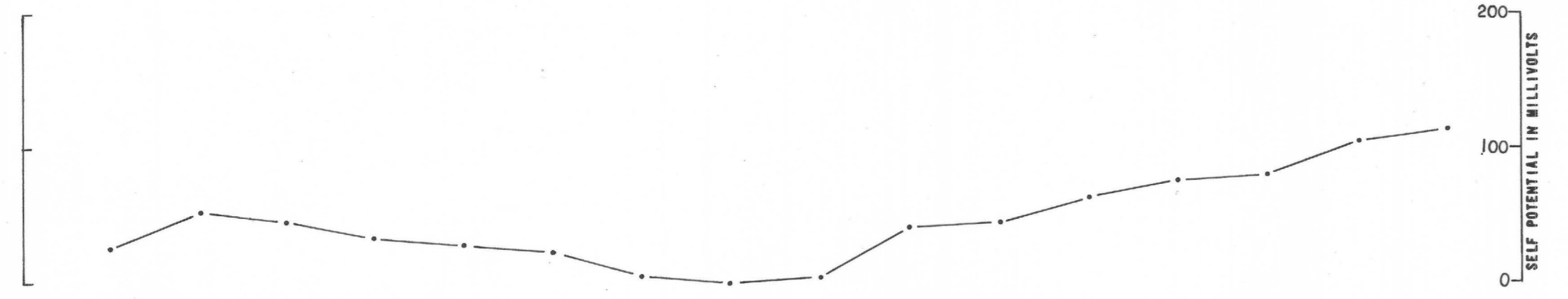
900-74


INDUCED POLARIZATION TRAVERSE  
SECTIONAL DATA SHEET  
of  
VERDE QUEEN AREA  
for  
NORTH AMERICAN MINES

LINE NO.  
2  
SPREAD(S)  
1  
BEARING  
N 45° W



DATE  
FEBRUARY 1974



HEINRICHS  GEOEXPLORATION COMPANY

806 W. GRANT ROAD, POST OFFICE BOX 5984, TUCSON, ARIZ., 85703, PHONE: (602)623-0578