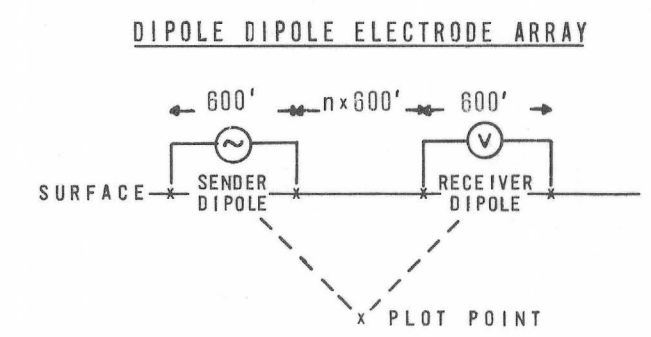
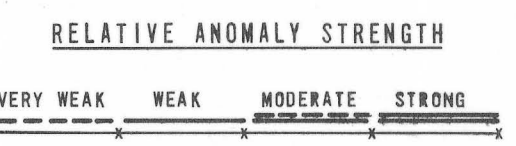


INDUCED POLARIZATION TRAVERSE
SECTIONAL DATA SHEET
for
ST. JOE MINERALS CORPORATION



AREA
NORTH BUTTE
LOOKING
WEST
DATE
DEC 1970
SCALE

**HEINRICHS
GEOEXPLORATION COMPANY**

AUSTRALIA (SYDNEY)
39 Hume Street
Crows Nest, NSW
Phone: 439-1793

U.S.A.
Post Office Box 5964
Tucson, Arizona 85703
Phone: (602) 623-0578
Cable: GEOEX, Tucson

