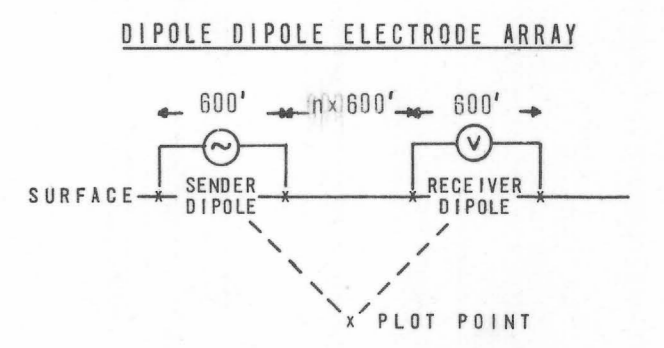
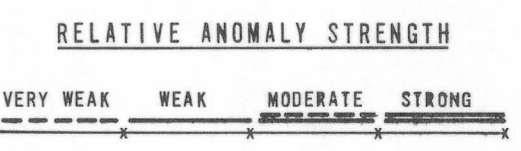


589-70

LINE NO.  
15E  
SPREAD(S)  
1 & 2

INDUCED POLARIZATION TRAVERSE  
SECTIONAL DATA SHEET  
for

ST. JOE MINERALS CORPORATION



AREA  
NORTH BUTTE  
LOOKING  
WEST  
DATE  
DEC 1970

**HEINRICHS  
GEOEXPLORATION COMPANY**  
AUSTRALIA (SYDNEY) 39 Hume Street Crows Nest, NSW Phone: 439-1793  
U.S.A. Post Office Box 5964 Tucson, Arizona 85703 Phone: (602) 623-0578 Cable: GEOEX, Tucson