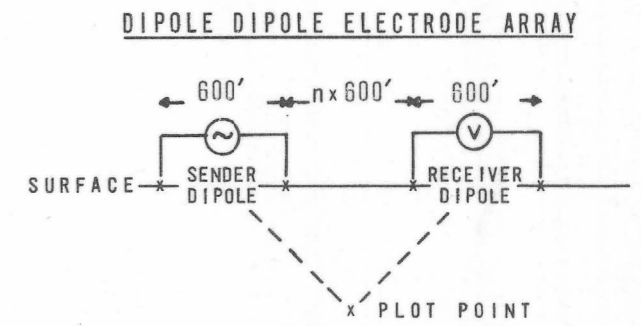
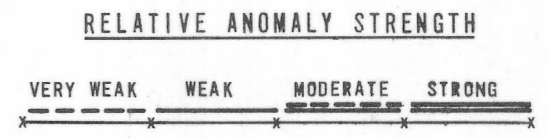


589-70

LINE NO.
30E
SPREAD(S)
1 & 2

INDUCED POLARIZATION TRAVERSE
SECTIONAL DATA SHEET
for
ST. JOE MINERALS CORPORATION



AREA
NORTH BUTTE

LOOKING
WEST

DATE
DEC 1970

SCALE

**HEINRICHS
GEOEXPLORATION COMPANY**

AUSTRALIA U.S.A.
(SYDNEY) Post Office Box 5964
39 Hume Street Tucson, Arizona 85703
Crows Nest, NSW Phone: (602) 623-0578
GEO PHYSICAL ENGINEERS Phone: 439-1793 Cable: GEDEX, Tucson