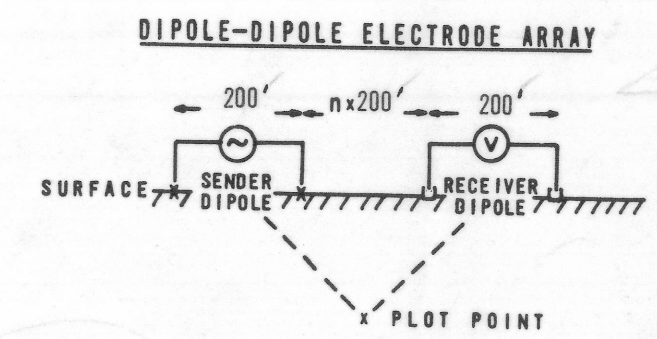
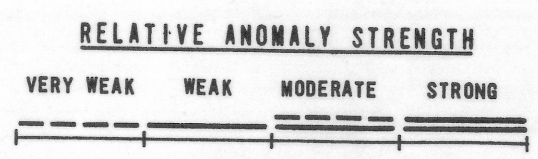


1004-75

APPARENT RESISTIVITY SECTIONAL DATA SHEET  
of  
LINES 1 & 2  
SASABE AREA - PIMA COUNTY, ARIZONA  
for  
MR. LEON DOMBROWSKI



DATE  
MARCH 1975

HEINRICHS GEOEXPLORATION COMPANY

806 W. GRANT ROAD, POST OFFICE BOX 5964, TUCSON, ARIZ., 85703, PHONE: (602)623-0578