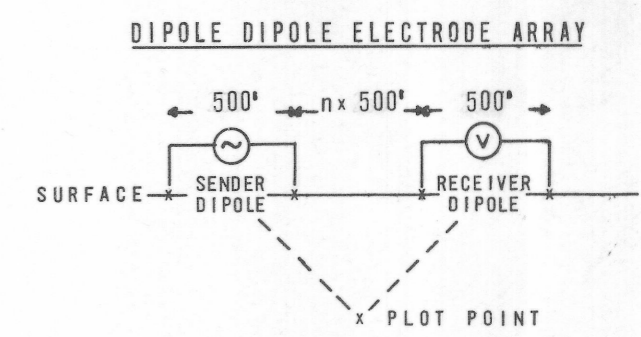
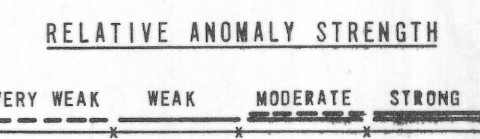


553-70

LINE NO. I
SPREAD(S)

INDUCED POLARIZATION TRAVERSE SECTIONAL DATA SHEET for

438 23781 #74436
GEOCHEMICAL SURVEYS INC.



AREA PERKINS PROSPECT
 LOOKING N 25° W
 DATE JULY 1970
 SCALE

HEINRICHS GEOEXPLORATION COMPANY

AUSTRALIA (SYDNEY) 39 Hume Street Crows Nest, NSW Phone: 439-1793
 U.S.A. Post Office Box 5964 Tucson, Arizona 85703 Phone: (602) 623-0578 Cable: GEOEX, Tucson

P20-208