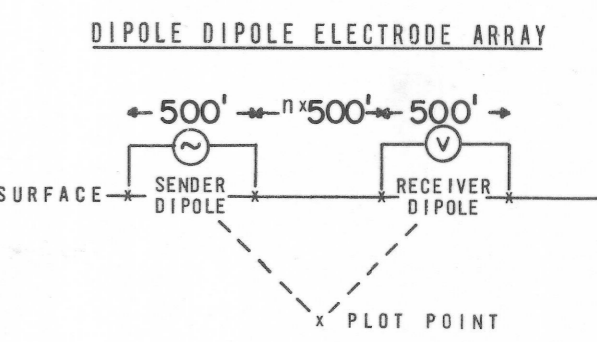
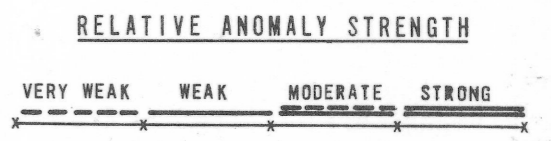


716-72

LINE NO.
6
SPREAD(S)
1

INDUCED POLARIZATION TRAVERSE
SECTIONAL DATA SHEET
for

C F & I STEEL CORPORATION



AREA
GLOVE MINE EAST
LOOKING
N 65° W
DATE
JUNE 1972

HEINRICHS GEOEXPLORATION COMPANY

AUSTRALIA (SYDNEY) 39 Hume Street Crows Nest, NSW Phone: 439-1793
 U.S.A. Post Office Box 5964 Tucson, Arizona 85703 Phone: (602) 623-0578 Cable: GEOEX, Tucson