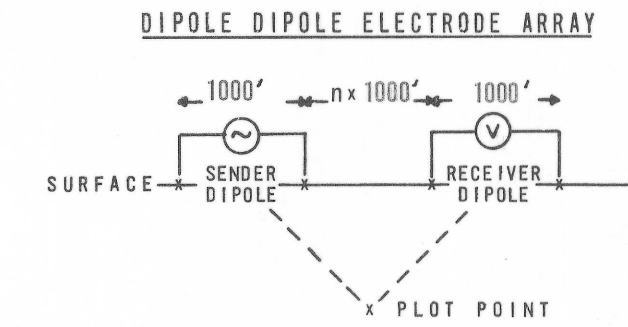
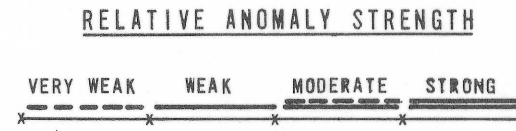


INDUCED POLARIZATION TRAVERSE  
SECTIONAL DATA SHEET  
for  
C F & I STEEL CORPORATION



AREA  
GLOVE MINE EAST  
LOOKING  
N 65° W  
DATE  
JUNE 1972  
SCALE

**HEINRICHS  
GEOEXPLORATION COMPANY**

GEOPHYSICAL ENGINEERS

AUSTRALIA (SYDNEY)  
39 Hume Street  
Crows Nest, NSW  
Phone: 439-1793

U.S.A.  
Post Office Box 5884  
Tucson, Arizona 85703  
Phone: (602) 623-0578  
Cable: GEOEX, Tucson