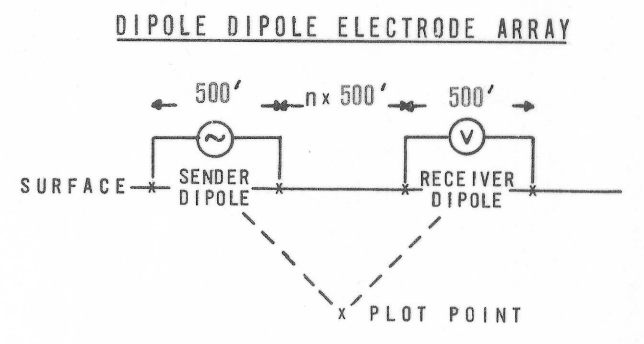
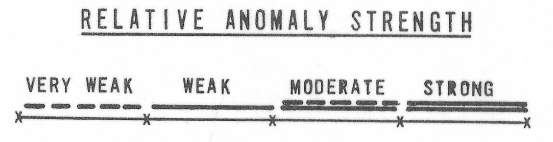


INDUCED POLARIZATION TRVERSE
SECTIONAL DATA SHEET
for
C F & I STEEL CORPORATION

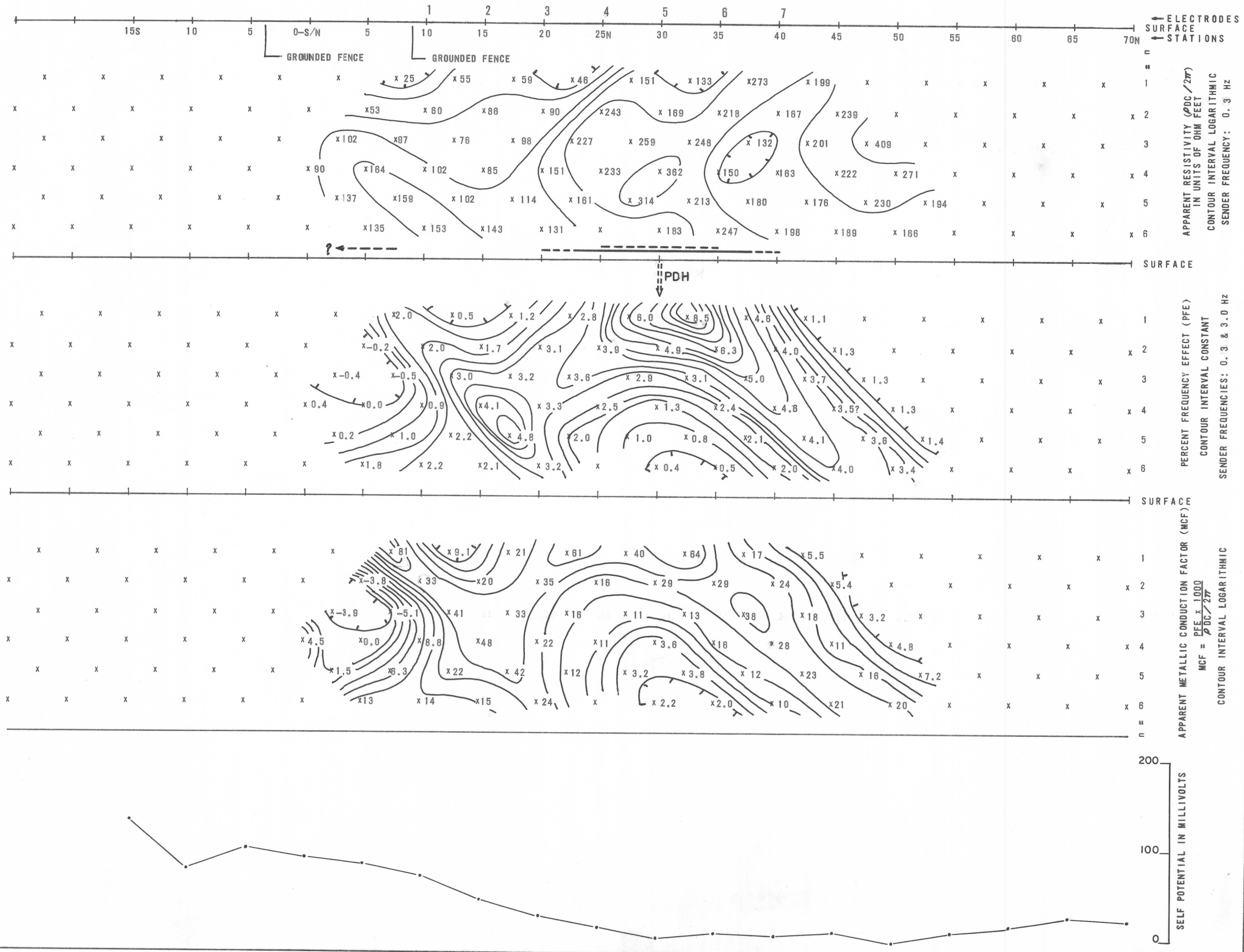


AREA
GLOVE MINE EAST
LOOKING
N 65° W
DATE
JUNE 1972
SCALE

**HEINRICHS
GEOEXPLORATION COMPANY**

	AUSTRALIA (SYDNEY) 39 Hume Street Crows Nest, NSW Phone: 439-1793	U.S.A. Post Office Box 5964 Tucson, Arizona 85703 Phone: (602) 623-0578 Cable: GEOEX, Tucson
--	--	---

**GEOLOGICAL
ENGINEERS**



ELECTRODES
SURFACE
STATIONS

APPARENT RESISTIVITY ($\rho_{DC} / 2\pi$)
IN UNITS OF OHM FEET
CONTOUR INTERVAL LOGARITHMIC
SENDER FREQUENCY: 0.3 Hz

PERCENT FREQUENCY EFFECT (PFE)
CONTOUR INTERVAL CONSTANT
SENDER FREQUENCIES: 0.3 & 3.0 Hz

APPARENT METALLIC CONDUCTION FACTOR (MCF)
 $MCF = \frac{PFE \times 1000}{\rho_{DC} / 2\pi}$
CONTOUR INTERVAL LOGARITHMIC

SELF POTENTIAL IN MILLIVOLTS