



CONTACT INFORMATION

Mining Records Curator
Arizona Geological Survey
1520 West Adams St.
Phoenix, AZ 85007
602-771-1601
<http://www.azgs.az.gov>
inquiries@azgs.az.gov

The following file is part of the

Arizona Department of Mines and Mineral Resources Mining Collection

ACCESS STATEMENT

These digitized collections are accessible for purposes of education and research. We have indicated what we know about copyright and rights of privacy, publicity, or trademark. Due to the nature of archival collections, we are not always able to identify this information. We are eager to hear from any rights owners, so that we may obtain accurate information. Upon request, we will remove material from public view while we address a rights issue.

CONSTRAINTS STATEMENT

The Arizona Geological Survey does not claim to control all rights for all materials in its collection. These rights include, but are not limited to: copyright, privacy rights, and cultural protection rights. The User hereby assumes all responsibility for obtaining any rights to use the material in excess of "fair use."

The Survey makes no intellectual property claims to the products created by individual authors in the manuscript collections, except when the author deeded those rights to the Survey or when those authors were employed by the State of Arizona and created intellectual products as a function of their official duties. The Survey does maintain property rights to the physical and digital representations of the works.

QUALITY STATEMENT

The Arizona Geological Survey is not responsible for the accuracy of the records, information, or opinions that may be contained in the files. The Survey collects, catalogs, and archives data on mineral properties regardless of its views of the veracity or accuracy of those data.

PRINTED: 08-08-2006

ARIZONA DEPARTMENT OF MINES AND MINERAL RESOURCES AZMILS DATA

PRIMARY NAME: CROWN KING & TIGER MINE GROUPS

ALTERNATE NAMES:

PIMA COUNTY MILS NUMBER: 219

LOCATION: TOWNSHIP 18 S RANGE 12 E SECTION 16 QUARTER SW
LATITUDE: N 31DEG 51MIN 12SEC LONGITUDE: W 111DEG 06MIN 59SEC
TOPO MAP NAME: TWIN BUTTES - 15 MIN

CURRENT STATUS: PAST PRODUCER

COMMODITY:

LEAD SULFIDE
COPPER
SILVER
ZINC SULFIDE
GOLD LODE

BIBLIOGRAPHY:

AZBM BULL. 189, P. 134, 1974

NAME OF MINE: Crown
OWNER: ✓ Charles McCulloch, Tucson

COUNTY: Pima
DISTRICT: S
METALS: Cu

OPERATOR AND ADDRESS		MINE STATUS	
Date: 11/44	C.W. Chapman, ✓ 3007 S. 4th Ave., Tucson	Date: 11/44 7/45	Developing Idle

BOFF, Walter
43 S. Sixth Avenue
Tucson, Arizona

1-7-52

CROWN Mine - Sec. 28, T. 17 S., R. 16 E.

MILS CROWN CLAIMS NOS 1 and 2 #0040190185

Shattuck Denn Mining Corporation

DENN BRANCH—BISBEE, ARIZONA

ORE SETTLEMENT

SHIPPER

SETTLEMENT DATE **6-2-47**

NAME OF MINE:

Crown Mine

MILL LOT NO.

208

Car Number	Date Received	Shippers Lot Number	Pounds of Ore			Net Dry Tons
			Wet	% Moist	Dry	
B.P. 92052	5-13	1	36740	1.0	36572	
TOTALS						18.186

PAYMENTS:

Gross Assay		Gross Units of Metals		Per Cent Paid For	Units of Metal Paid For		Metal Prices	Amounts
Gold	.004 Ozs.	.073 Ozs.					\$	\$
Silver	3.00 Ozs.	54.56 Ozs.		72.67	39.65 Ozs.		.885	35.09
Copper	0.13 %	47 Lbs.						
Lead	9.95 %	3619 Lbs.		62.70	2269 Lbs.		.13285	301.44
Zinc	9.25 %	3364 Lbs.		54.07	1819 Lbs.		.10145	184.54

TOTAL PAYMENTS		521.07
DEDUCTIONS: Concentrates Freight		34.01
Transportation Tax		1.76
Concentrates Treatment		81.52
Milling		62.65
NET MILL VALUE		180.94
Processing Fee (% of Net Mill Value)		340.13
NET SETTLEMENT VALUE		27.28
Ore Freight...18.270...Wet Tons @ \$.....2.18..		39.90
Ore Transportation Tax		1.20
Umpire Penalty		
BALANCE DUE SHIPPER		271.75

Made By.....

Approved By

DEPARTMENT OF MINERAL RESOURCES
STATE OF ARIZONA
FIELD ENGINEERS REPORT

Mine Crown Mine

Date Jan. 7, 1952 and Aug. 26, 1952.

District Helvetia Mining Dist., Pima County

Engineer Axel I. Johnson

Subject: Mine Report--- Personal inspection & inf. from owner.

Location Approximate location---- Sec. 28--- T 17 S --- R 16 E.
Go out from Tucson on Highway # 80 south to a mile past Vail Jct.
Turn right (south) at iron gate, and go 8 miles south on private road.

Number of Claims One unpatented claim.

Owner Walter Bopp, 43 S. Sixth Ave., Tucson, Ariz. --- Tel. 3-8731. This property was acquired by Mr. Bopp in July, 1952, by re-location, with the consent of the previous owners, Chas. McCulloch, 3501 S. Liberty St., Tucson, Ariz., Mike Sersaio, Tucson, Ariz., and Jos. Cordello, Tucson, Ariz.

Operator Not in operation.

Principal Minerals Lead, Zinc and Silver --- nearly all sulphides.

Number of Men Employed None.

Production Rate None.

Geology, Ore Values, etc. See Report of this property under date of Jan. 7, 1952.

Old Workings, Past Production, etc. See Report under date of Jan. 7, 1952.

Proposed Plans Mr. Walter Bopp, the present owner, would like to lease this property to someone who will work it. ~~10~~ 10 % Royalty is asked.

Mr. Penner - says he is now leasing this property. 2-4-57

DEPARTMENT OF MINERAL RESOURCES
STATE OF ARIZONA
FIELD ENGINEERS REPORT

Mine Crown Mine Date Jan. 7, 1952 and Aug. 26, 1952.

District Helvetia Mining Dist., Pima County Engineer Axel I. Johnson

Subject Mine Report--- Personal inspection & inf. from owner.

Location Approximate location--- Sec. 28--- T 17 S --- R 16 E.
Go out from Tucson on Highway # 80 south to a mile past Vall Jct.
Turn right (south) at iron gate, and go 8 miles south on private road.

Number of Claims One unpatented claim.

Owner Walter Bopp, 43 S. Sixth Ave., Tucson, Ariz. --- Tel. 3-8731. This property was acquired by Mr. Bopp in July, 1952, by re-location, with the consent of the previous owners, Chas. McCalloch, 3501 S. Liberty St., Tucson, Ariz., Mike Geratio, Tucson, Ariz., and Jos. Cordello, Tucson, Ariz.

Operator Not in operation.

Principal Minerals Lead, Zinc and Silver --- nearly all sulphides.

Number of Men Employed None.

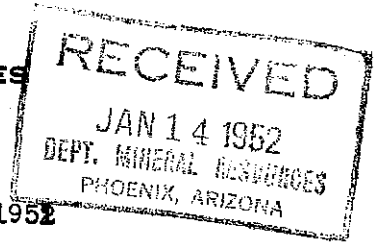
Production Rate None.

Geology, Ore Values, etc. See Report of this property under date of Jan. 7, 1952.

Old workings, Past Production, etc. See Report under date of Jan. 7, 1952.

Proposed Plans Mr. Walter Bopp, the present owner, would like to lease this property to someone who will work it. ~~10~~ 10 % Royalty is asked.

DEPARTMENT OF MINERAL RESOURCES
STATE OF ARIZONA
FIELD ENGINEERS REPORT



Mine Crown ~~#~~ Mine ✓

Date Jan. 7, 1952

District Helvetia Mining Dist., Pima Co.

Engineer Axel L. Johnson

Subject: Reconnaissance Report

Location Go out from Tucson on Highway # 80 to a mile past Vail. Turn south at iron gate, and go 8 miles south on private road.

Number of Claims One.

Owners ✓ Chas McCulloch, 3501 S. Liberty (Box 125), Tucson, Ariz. --- 1/2 interest.
✓ Mike Serasiox, Tucson, Ariz. --- 1/4 interest.
✓ Jos. Cordello, Tucson, Ariz. --- 1/4 interest.

Operators Not in operation. Leased to Walter Bopp, who ceased operating it.

metals Present ✓ Lead, Zinc, and Silver --- nearly all as sulphides.

men Employed None.

Production Rate No Production.

milling Facilities None.

Geology and Mineralization Ore is found as replacements in limestone rock at the contact with a formation of slate rock. The vein on this property is about 3 1/2 ft. wide, where it is mineralized, but the mineralization does not seem to be continuous. The vein dips about 50 degrees to the S. E. The footwall is limestone, and the hanging wall is slate.

Ore Values Apparently high grade, where mineralized, but mineralization not continuous, the owners having shipped 18 tons, which netted them better than \$ 40 per ton. Most of the ore is found in the form of galena.

Old Workings (1) One shaft - 254 ft. deep vertical 6 x 8, timbered first 60 ft, with some drifting at bottom of same. Shaft should have cut across the ore vein, but very little ore is found on the dump from same, and no ore was shipped from same. There is a small stockpile of ore about 5 tons near the shaft.

(2) One shaft - 37 ft. deep - vertical, with a drift from the bottom of same-- 170 ft. long along the ore vein. Shaft is caved and inaccessible, but the dump from same shows very little ore, and no ore was shipped. There is a small pile of ore stocked nearby, about 3 or 4 tons.

(3) One open cut, which for some ~~reason~~ reason, was filled up when it was abandoned. 10 to 15 tons of ore was taken out from this open cut, and is stockpiled ~~nearby~~ on the property.

(4) One open cut about 20 ft. long and 3 to 13 ft. deep. The owners took out 18 tons of high grade lead ore from this open cut, before they leased the property to Walter Bopp, and shipped same. The breast shows a 4 ft. wide vein of very high grade galena ore.

(5) One hole about 20 ft. deep and 6 to 7 ft. in dia. from old mine oper.

Past Production Owners shipped 18 tons in 1948 and 1949, before they leased property. Ore netted about \$ 40 per ton after expensed/

Proposed Plans Lease to Walter Bopp expires on May 15, 1952. Owners would like to lease the property again to someone who will work it. 10 % royalty is asked.

DEPARTMENT OF MINERAL RESOURCES

STATE OF ARIZONA

FIELD ENGINEERS REPORT

page 2

Mine Crown ~~#~~ Mine

Date Jan. 7, 1952,

District Helvebia Mining Dist., Pima Co.

Engineer Axel L. Johnson

Subject: Reconnaissance Report.

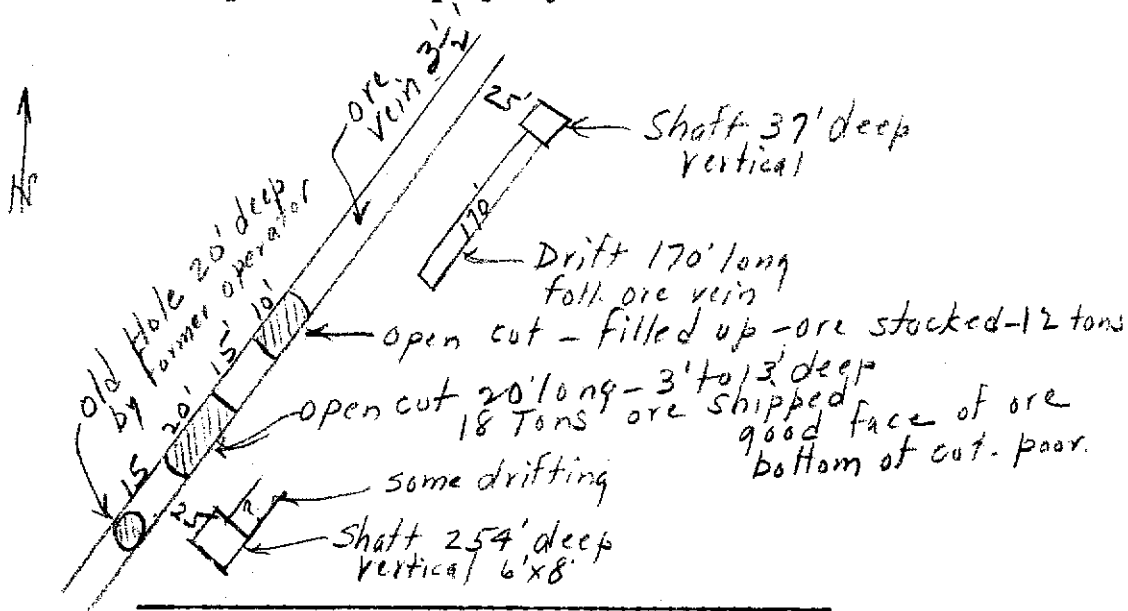
General Remarks Ore mineralization ~~seems~~ seems to be spotty, and, probably also, near the surface. Leaser, Walter Bopp, sank the two shafts on the property with the drifts from same, and, evidently encountered very little ore.

Leaser, Walter Bopp, took out some ore (10 to 15 tons) from an open cut, and later abandoned same and filled it up.

Leaser, Walter Bopp, for some reason, has not taken out the ore remaining from the other open cut, which was left by the owners.

Leaser, Walter Bopp, for some reason, has not shipped the , approximately 20 tons of ore stockpiled on the property.

Sketch



Axel L. Johnson, Field Engineer,
Dept. of Mineral Resources,
P. O. Box 390, Tucson, Arizona.

Axel L. Johnson

DEPARTMENT OF MINERAL RESOURCES

STATE OF ARIZONA

FIELD ENGINEERS REPORT

Mine ~~Crown~~ *Mine*

Date Jan. 7, 1952

District Helvetia Mining Dist., Pima Co.

Engineer Axel L. Johnson

Subject: Reconnaissance Report

Location Go out from Tucson on Highway # 30 to a mile past Vail. Turn south at iron gate, and go 3 miles south on private road.

Number of Claims One.

Owners ✓ Chas McCulloch, 3501 S. Liberty (Box 125), Tucson, Ariz. — 1/2 interest.
✓ Mike Serasiuk, Tucson, Ariz. — 1/4 interest.
✓ Jos. Cordello, Tucson, Ariz. — 1/4 interest.

Operators Not in operation. Leased to Walter Bopp, who ceased operating it.

Metals Present Lead, Zinc, and Silver — nearly all as sulphides.

Men Employed None.

Production Rate No Production.

Milling Facilities None.

Geology and Mineralization Ore is found as replacements in limestone rock at the contact with a formation of slate rock. The vein on this property is about 3 1/2 ft. wide, where it is mineralized, but the mineralization does not seem to be continuous. The vein dips about 50 degrees to the S. E. The footwall is limestone, and the hanging wall is slate.

Ore Values Apparently high grade, where mineralized, but mineralization not continuous, the owners having shipped 18 tons, which netted them better than \$ 40 per ton. Most of the ore is found in the form of galena.

Old Workings (1) One shaft - 254 ft. deep vertical 6 x 8, timbered first 60 ft, with some drifting at bottom of same. Shaft should have cut across the ore vein, but very little ore is found on the dump from same, and no ore was shipped from same. There is a small stockpile of ore about 5 tons near the shaft.

(2) One shaft - 37 ft. deep - vertical, with a drift from the bottom of same— 170 ft. long along the ore vein. Shaft is caved and inaccessible, but the dump from same shows very little ore, and no ore was shipped. There is a small pile of ore stocked nearby, about 3 or 4 tons.

(3) One open cut, which for some ~~reason~~ reason, was filled up when it was abandoned. 10 to 15 tons of ore was taken out from this open cut, and is stockpiled ~~nearby~~ on the property.

(4) One open cut about 20 ft. long and 5 to 13 ft. deep. The owners took out 18 tons of high grade lead ore from this open cut, before they leased the property to Walter Bopp, and shipped same. The breast shows a 4 ft. wide vein of very high grade galena ore.

(5) One hole about 20 ft. deep and 6 to 7 ft. in dia. from old mine oper.

Past Production Owners shipped 18 tons in 1948 and 1949, before they leased property. Ore netted about \$ 40 per ton after expenses/

Proposed Plans Lease to Walter Bopp expires on May 15, 1952. Owners would like to lease the property again to someone who will work it. 10 % royalty is asked.

DEPARTMENT OF MINERAL RESOURCES

STATE OF ARIZONA

FIELD ENGINEERS REPORT

page 2

Mine Crown ~~the~~ Mine

Date Jan. 7, 1952,

District Helvebia Mining Dist., Pima Co.

Engineer Axel L. Johnson

Subject: Reconnaissance Report.

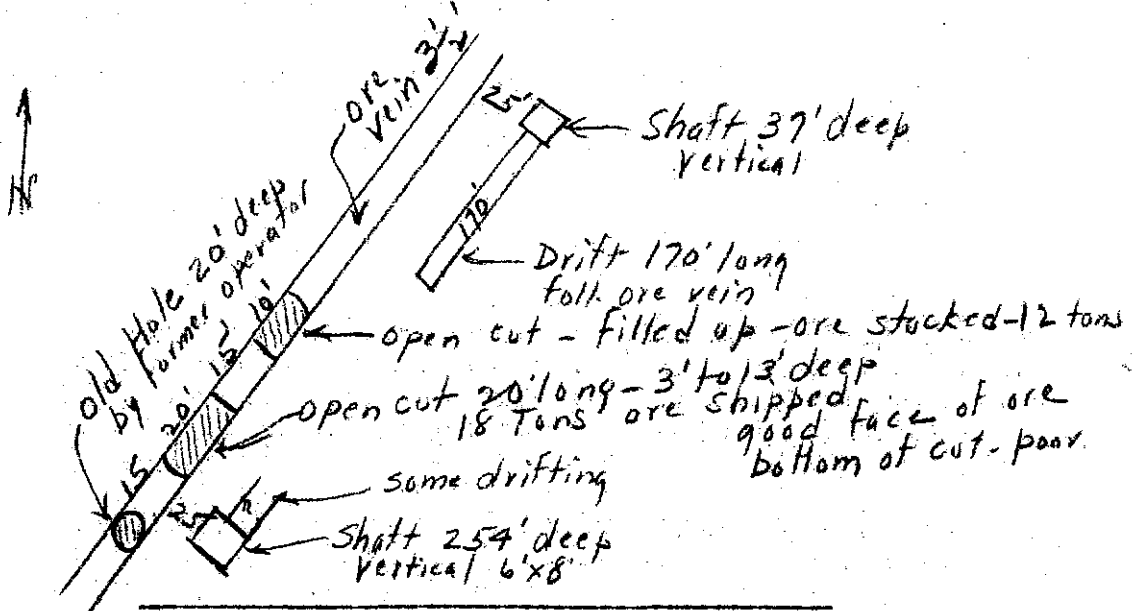
General Remarks Ore mineralization ~~seems~~ seems to be spotty, and, probably also, near the surface. Leaser, Walter Bopp, sank the two shafts on the property with the drifts from same, and, evidently encountered very little ore.

Leaser, Walter Bopp, took out some ore (10 to 15 tons) from an open cut, and later abandoned same and filled it up.

Leaser, Walter Bopp, for some reason, has not taken out the ore remaining from the other open cut, which was left by the owners.

Leaser, Walter Bopp, for some reason, has not shipped the, approximately 20 tons of ore stockpiled on the property.

Sketch



Axel L. Johnson, Field Engineer,
Dept. of Mineral Resources,
P. O. Box 390, Tucson, Arizona.

Axel L. Johnson